

Characteristics

Material

Sheet Steel (EN 10130 DC01)

- Body : 1.2 mm
- Lid : 1.2 mm

Surface Finishing

- RAL7035w powder coating

IP Rating

- IP55 (TS 3033, EN 60529)

Others

- Fully welded construction
- Screwed plain lid
- One piece EPDM lid gasket
- Ready for DIN rail fixing



On Request

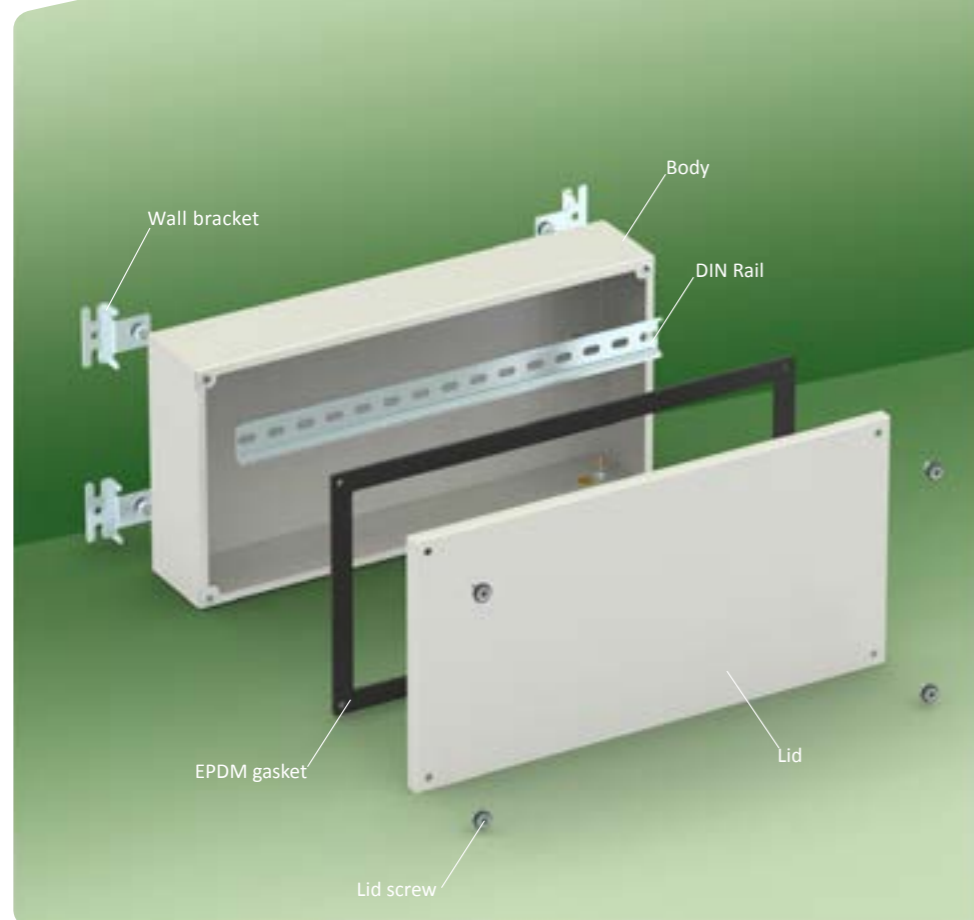
- Special sizes
- Special colour
- Pre-punching

Supply Includes

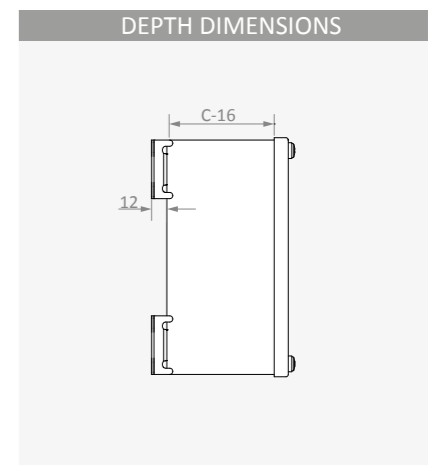
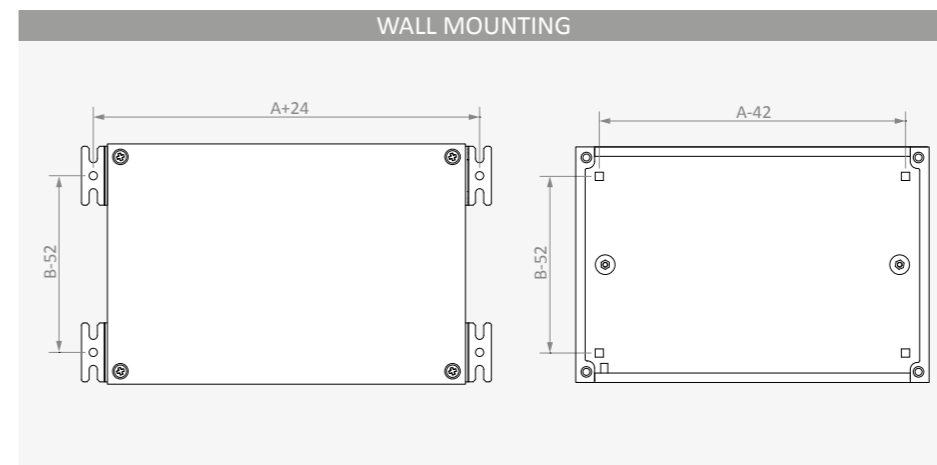
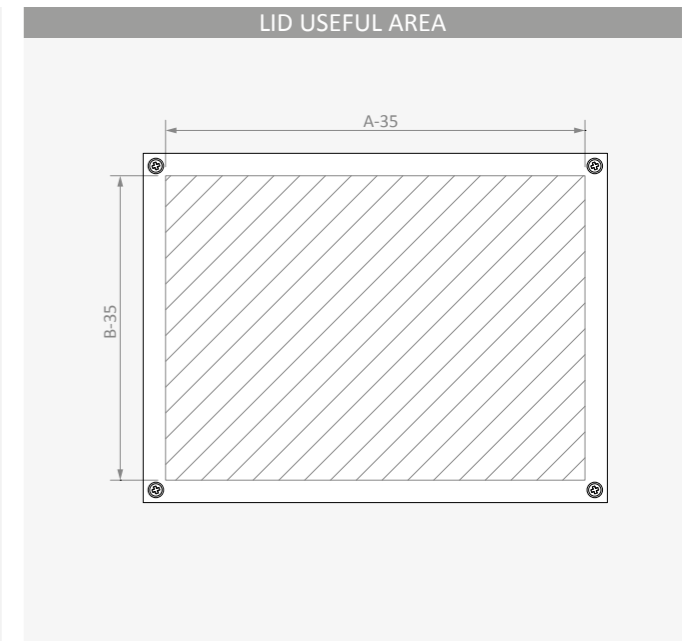
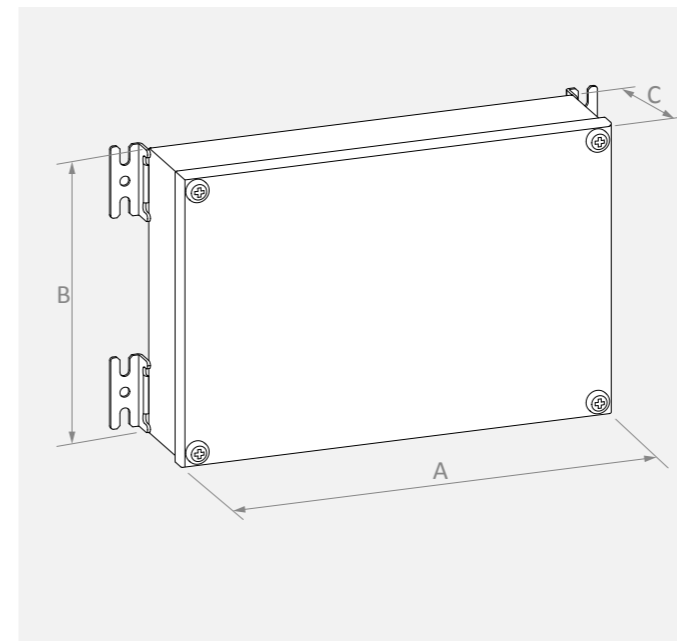
- Body
- Lid
- Lid gasket
- Lid screws

Complementary Accessories

- DIN rail
- Wall bracket
- Earthing cable



Width	Height	Depth	Reference	Useful Area			Wall Mounting				DIN Rail Fixing	Weight
				Lid		Side	With Bracket		Internal			
A	B	C		↔ mm	↕ mm	↗ mm	↔ mm	↕ mm	↔ mm	↕ mm	↔ mm	kg
80	160	60	JB 081606	45	125	44	---	184	---	118	30	0.6
100	100	60	JB 101006	65	65	44	---	124	---	58	50	0.6
120	120	60	JB 121206	85	85	44	---	144	78	68	70	0.7
150	150	60	JB 151506	115	115	44	174	98	108	98	100	0.9
160	160	80	JB 161608	125	125	64	184	108	118	108	110	1.4
200	200	80	JB 202008	165	165	64	224	148	158	148	150	1.9
300	200	100	JB 302010	265	165	84	324	148	258	148	250	2.4
	300	100	JB 303010	265	265	84	324	248	258	248	2 x 250	3.2
400	200	100	JB 402010	365	165	84	424	148	358	148	350	2.8
	300	100	JB 403010	365	265	84	424	248	358	248	2 x 350	4.0
	400	100	JB 404010	365	365	84	424	348	358	348	2 x 350	5.0



WALL MOUNTED ENCLOSURES

WALL MOUNTED ENCLOSURES