

VLT® AQUA Drive

VLT® AQUA Drive FC202

The FC 202 is the best solution for water- and wastewater applications in the power range 0,25 to 1200 kW. The FC 202 provides a number of very powerful features and options especially designed for this type of applications. The result is a very reliable and dependable solution that offers the best possible efficiency and energy savings.



Application	Water and Wastewater applications
Power range	0,25 - 1200 kW
Torque characteristics	VT 110%
Supply voltage	1/3 phase 200-240V 1/3 phase 380-480V 3 phase 525-600V 3 phase 525-690V
Enclosure	IP00, IP20, IP21, IP55 and IP66
Coating	Class 3C2 standard, class 3C3 optional
Control principle	VVCplus
Length motor cable	150 mtr (screened) 300 mtr (non-screened)
Inputs	Analog 2 / Digital 6
Outputs	Analog 1 / Digital 2 / Relay 2
Special functions	Automatic Motor Adaption (AMA) Automatic Energy Optimization Advanced Energy Monitoring PID control (auto-tune) Pipe fill functions Dry run detection End of pump curve Flow compensation Automatic switching between 4 setups Sleepmode
Motor protection	Electronic thermic motor protection based on motor-model and motor-thermistor
Drive protection	Temperature heatsink, short-circuit on motor terminals, phase loss, earth faults and overload
Control	Graphic or numeric display Standard, customised or quick menu Help functions (graphic display)
Communication	USB, Fieldbus (Profibus and DeviceNET) and RS485
Env. temperature	max. 50 degr. C
Options	24 Vdc backup, extra coating, LC-filter, extra I/O's, integrated service switch, cascade control
Approval	CE, UL, C-tick

Danfoss VLT Drives

0870 241 7100

Configure your drive with our Drive Configurator

www.driveconfigurator.com

VLT AQUA Drive

FC202-PK37 3x380-480V

0,37 kW / 1,3 A

S2A Standard Version with class 2A RFI-filter

ST Standard version

SW ST + service switch

	Article nr.	Price GBP	Article nr.	Price GBP	Article nr.	Price GBP
	S2A		ST		SW	
IP20 encl. display	131B8812	265	131F7846	295		
IP20 encl. display + Profibus	131H2828	364	131H0634	394		
IP20 encl. + Graphic Display	131B8870	333	131B8872	363		
IP20 encl. + Graphic Display + Profibus	131F5637	432	131F1897	462		
IP55 encl. + Graphic Display	131B8874	418	131B8875	448	131F1382	551
IP55 encl. + Graphic Display + Profibus	131H2829	517	131F2769	547	131H2830	650

Accessories

LC Filter Bookstyle IP20	130B2404	134
LC Filter Compact IP20	130B2439	161

For all other accessories and options see the general FC 200 accessories/options page

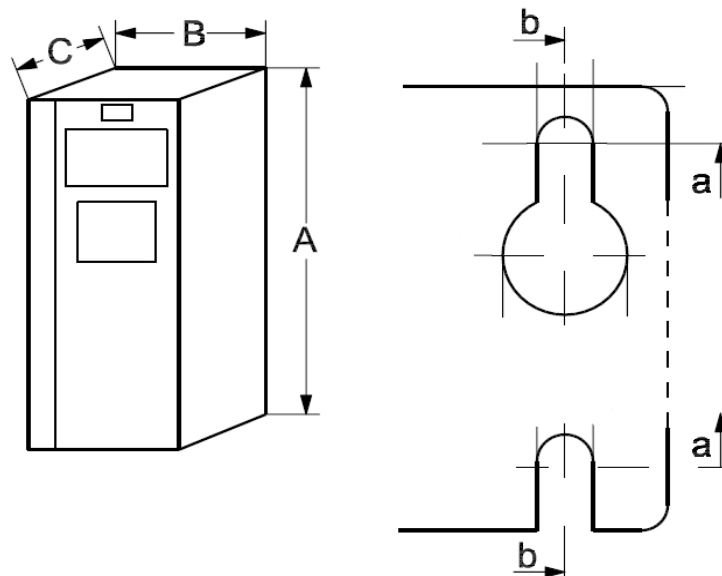
Dimensions		A	B	C	a	b	Weight
IP20 enclosure	(type A2)	268	90	205	257	70	4,7 kg
IP55 enclosure	(type A5)	420	242	195	402	215	13,5 kg

Minimal space under and above drive 100 mm

Dimensions excl. options

Max. powerloss (heat dissipation) at full power :

35 Watt



Danfoss VLT Drives

Configure your drive with our Drive Configurator

0870 241 7100

www.driveconfigurator.com

VLT AQUA Drive

FC 202 0,37 kW 3x380-480V

FC202	PKxx	T4	Exx	H	x	x	x	x	x	x	x	SXXXX	Ax	Bx	Cx	Dx	Price GBP
Power (Basic Price)	↑		↑	↑	↑	↑	↑	↑	↑	↑	↑		↑	↑	↑	↑	
0,37 kW - 1,3 A	PK37																265
Enclosure IP 20			E20														0
IP55			E55														85
IP66			E66														185
IP55 with backplate			P55														95
RFI-filter A2				2													0
A1/B1 RFI-filter				1													30
A1/B1 RFI-filter (reduced motorcable ler				3													20
Brakeresistor - none					X												0
with					B												25
Safe Stop					T												17
Brakechopper + Safe Stop					W												42
Display - none					X												0
with numeric display					N												30
with graphic display					G												68
Coating - none						X											0
incl. coating						C											73
General Options - none								x									0
service switch								1									103
Communication Options - None													AX				0
Profibus													A0				99
DeviceNet													A4				75
I/O Options - none														BX			0
Analog I/O														B0			80
General I/O														BK			64
Relay option														BP			70
Cascade Controller Ext.														BY			368
Cascade Controller Adv.														C5			467
D-options - none																DX	0
24Vdc back-up																D0	42

Because of rounding totalprices can differ from the prices on the other side of this page.

Prices valid until: 31/12/2008

VLT AQUA Drive

FC202-PK55 3x380-480V

0,55 kW / 1,8 A

S2A Standard Version with class 2A RFI-filter

ST Standard version

SW ST + service switch

	Article nr.	Price GBP	Article nr.	Price GBP	Article nr.	Price GBP
	S2A		ST		SW	
IP20 encl. display	131B8877	275	131F7850	309		
IP20 encl. display + Profibus	131H2902	374	131H2097	408		
IP20 encl. + Graphic Display	131B8878	343	131B8880	377		
IP20 encl. + Graphic Display + Profibus	131H2903	442	131F4761	476		
IP55 encl. + Graphic Display	131B8882	428	131B8883	462	131F1387	565
IP55 encl. + Graphic Display + Profibus	131H2904	527	131F4762	561	131F4763	664

Accessories

LC Filter Bookstyle IP20	130B2404	134
LC Filter Compact IP20	130B2439	161

For all other accessories and options see the general FC 200 accessories/options page

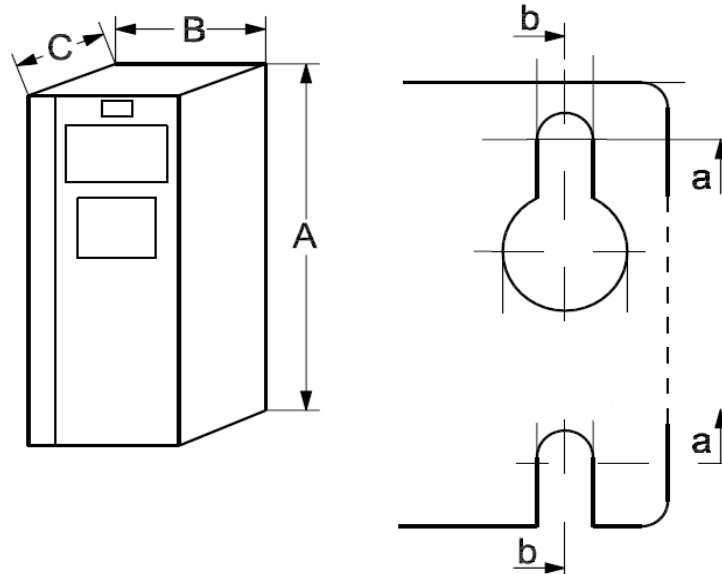
Dimensions		A	B	C	a	b	Weight
IP20 enclosure	(type A2)	268	90	205	257	70	4,7 kg
IP55 enclosure	(type A5)	420	242	195	402	215	13,5 kg

Minimal space under and above drive 100 mm

Dimensions excl. options

Max. powerloss (heat dissipation) at full power :

42 Watt



Danfoss VLT Drives

Configure your drive with our Drive Configurator

0870 241 7100

www.driveconfigurator.com

VLT AQUA Drive

FC 202 0,55 kW 3x380-480V

FC202	PKxx	T4	Exx	H	x	x	x	x	x	x	x	SXXXX	Ax	Bx	Cx	Dx	Price GBP
Power (Basic Price)																	
0,55 kW - 1,8 A	PK55																275
Enclosure IP 20			E20														0
IP55			E55														85
IP66			E66														185
IP55 with backplate			P55														95
RFI-filter A2				2													0
A1/B1 RFI-filter				1													34
A1/B1 RFI-filter (reduced motorcable ler				3													22
Brakeresistor - none					X												0
with					B												27
Safe Stop					T												17
Brakechopper + Safe Stop					W												44
Display - none					X												0
with numeric display					N												30
with graphic display					G												68
Coating - none						X											0
incl. coating						C											73
General Options - none								x									0
service switch								1									103
Communication Options - None													AX				0
Profibus													A0				99
DeviceNet													A4				75
I/O Options - none														BX			0
Analog I/O														B0			80
General I/O														BK			64
Relay option														BP			70
Cascade Controller Ext.														BY			368
Cascade Controller Adv.														C5			467
D-options - none																DX	0
24Vdc back-up																D0	42

Because of rounding totalprices can differ from the prices on the other side of this page.

Prices valid until: 31/12/2008

VLT AQUA Drive

FC202-PK75 3x380-480V

0,75 kW / 2,4 A

S2A Standard Version with class 2A RFI-filter

ST Standard version

SW ST + service switch

	Article nr.	Price GBP	Article nr.	Price GBP	Article nr.	Price GBP
	S2A		ST		SW	
IP20 encl. display	131B8885	300	131F7854	340		
IP20 encl. display + Profibus	131H2905	399	131H2103	439		
IP20 encl. + Graphic Display	131B8886	368	131B8888	408		
IP20 encl. + Graphic Display + Profibus	131H2906	467	131F4765	507		
IP55 encl. + Graphic Display	131B8890	453	131B8891	493	131F1388	596
IP55 encl. + Graphic Display + Profibus	131H2907	552	131F4766	592	131H2908	695

Accessories

LC Filter Bookstyle IP20	130B2404	134
LC Filter Compact IP20	130B2439	161

For all other accessories and options see the general FC 200 accessories/options page

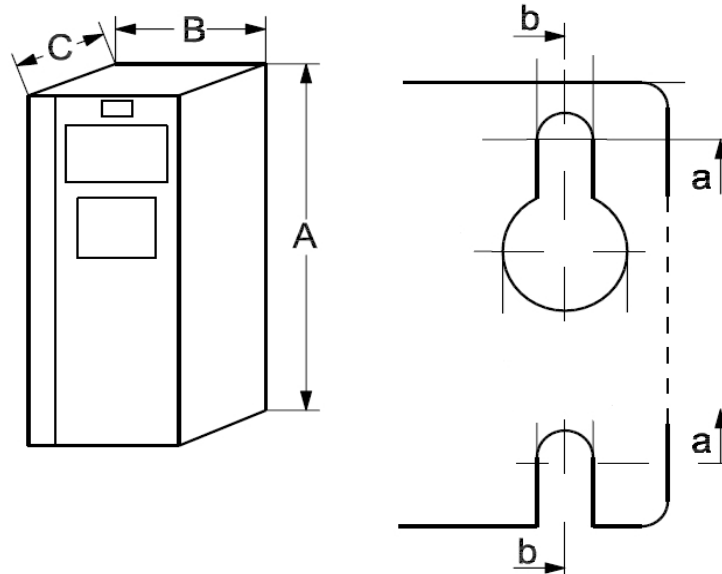
Dimensions		A	B	C	a	b	Weight
IP20 enclosure	(type A2)	268	90	205	257	70	4,8 kg
IP55 enclosure	(type A5)	420	242	195	402	215	13,5 kg

Minimal space under and above drive 100 mm

Dimensions excl. options

Max. powerloss (heat dissipation) at full power :

46 Watt



Danfoss VLT Drives

Configure your drive with our Drive Configurator

0870 241 7100

www.driveconfigurator.com

VLT AQUA Drive

FC 202 0,75 kW 3x380-480V

FC202	PKxx	T4	Exx	H	x	x	x	x	x	x	x	SXXXX	Ax	Bx	Cx	Dx	Price GBP
Power (Basic Price)																	
0,75 kW - 2,4 A	PK75																300
Enclosure IP 20			E20														0
IP55			E55														85
IP66			E66														185
IP55 with backplate			P55														95
RFI-filter A2				2													0
A1/B1 RFI-filter				1													40
A1/B1 RFI-filter (reduced motorcable ler				3													26
Brakeresistor - none					X												0
with					B												29
Safe Stop					T												17
Brakechopper + Safe Stop					W												46
Display - none					X												0
with numeric display					N												30
with graphic display					G												68
Coating - none						X											0
incl. coating						C											73
General Options - none							x										0
service switch							1										103
Communication Options - None													AX				0
Profibus													A0				99
DeviceNet													A4				75
I/O Options - none														BX			0
Analog I/O														B0			80
General I/O														BK			64
Relay option														BP			70
Cascade Controller Ext.														BY			368
Cascade Controller Adv.														C5			467
D-options - none																DX	0
24Vdc back-up																D0	42

Because of rounding totalprices can differ from the prices on the other side of this page.

Prices valid until: 31/12/2008

VLT AQUA Drive

FC202-P1K1 3x380-480V

1,1 kW / 3 A

S2A Standard Version with class 2A RFI-filter

ST Standard version

SW ST + service switch

	Article nr.	Price GBP	Article nr.	Price GBP	Article nr.	Price GBP
	S2A		ST		SW	
IP20 encl. display	131B8893	343	131F4272	389		
IP20 encl. display + Profibus	131H2911	442	131F7118	488		
IP20 encl. + Graphic Display	131B8894	411	131B8896	457		
IP20 encl. + Graphic Display + Profibus	131H1589	510	131F6717	556		
IP55 encl. + Graphic Display	131B8899	496	131B8900	542	131F1393	645
IP55 encl. + Graphic Display + Profibus	131H2912	595	131F6722	641	131F7449	744

Accessories

LC Filter Bookstyle IP20	130B2406	154
LC Filter Compact IP20	130B2441	185

For all other accessories and options see the general FC 200 accessories/options page

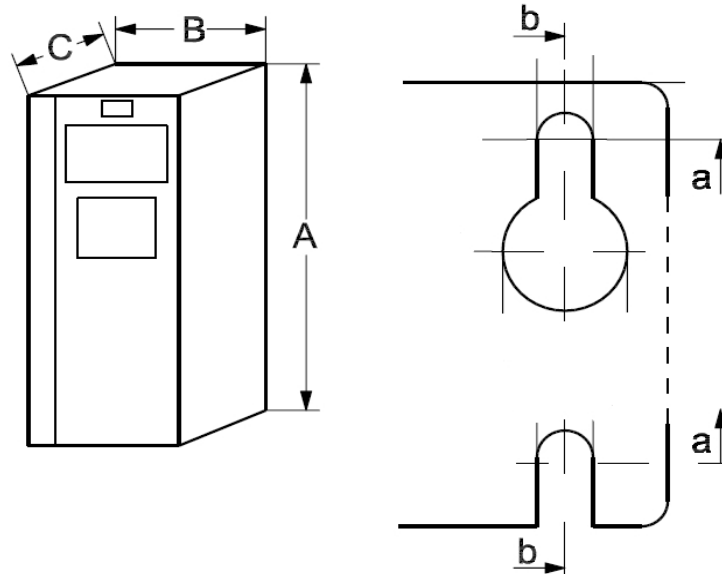
Dimensions		A	B	C	a	b	Weight
IP20 enclosure	(type A2)	268	90	205	257	70	4,8 kg
IP55 enclosure	(type A5)	420	242	195	402	215	13,5 kg

Minimal space under and above drive 100 mm

Dimensions excl. options

Max. powerloss (heat dissipation) at full power :

58 Watt



Danfoss VLT Drives

Configure your drive with our Drive Configurator

0870 241 7100

www.driveconfigurator.com

VLT AQUA Drive

FC 202 1,1 kW 3x380-480V

FC202	PKxx	T4	Exx	H	x	x	x	x	x	x	x	SXXXX	Ax	Bx	Cx	Dx	Price GBP
Power (Basic Price)																	
1,1 kW - 3 A	P1K1																343
Enclosure IP 20			E20														0
IP55			E55														85
IP66			E66														185
IP55 with backplate			P55														95
RFI-filter A2				2													0
A1/B1 RFI-filter				1													46
A1/B1 RFI-filter (reduced motorcable ler				3													33
Brakeresistor - none					X												0
with					B												31
Safe Stop					T												17
Brakechopper + Safe Stop					W												48
Display - none					X												0
with numeric display					N												30
with graphic display					G												68
Coating - none						X											0
incl. coating						C											73
General Options - none							x										0
service switch							1										103
Communication Options - None													AX				0
Profibus													A0				99
DeviceNet													A4				75
I/O Options - none														BX			0
Analog I/O														B0			80
General I/O														BK			64
Relay option														BP			70
Cascade Controller Ext.														BY			368
Cascade Controller Adv.														C5			467
D-options - none																DX	0
24Vdc back-up																D0	42

Because of rounding totalprices can differ from the prices on the other side of this page.

Prices valid until: 31/12/2008

VLT AQUA Drive

FC202-P1K5 3x380-480V

1,5 kW / 4,1 A

S2A Standard Version with class 2A RFI-filter

ST Standard version

SW ST + service switch

	Article nr.	Price GBP	Article nr.	Price GBP	Article nr.	Price GBP
	S2A		ST		SW	
IP20 encl. display	131F0647	403	131F7861	455		
IP20 encl. display + Profibus	131H2932	502	131H0799	554		
IP20 encl. + Graphic Display	131B8649	471	131B8290	523		
IP20 encl. + Graphic Display + Profibus	131H2933	570	131B8456	622		
IP55 encl. + Graphic Display	131F0651	556	131F0652	608	131F1394	711
IP55 encl. + Graphic Display + Profibus	131H2935	655	131F6908	707	131H2936	810

Accessories

LC Filter Bookstyle IP20	130B2406	154
LC Filter Compact IP20	130B2441	185

For all other accessories and options see the general FC 200 accessories/options page

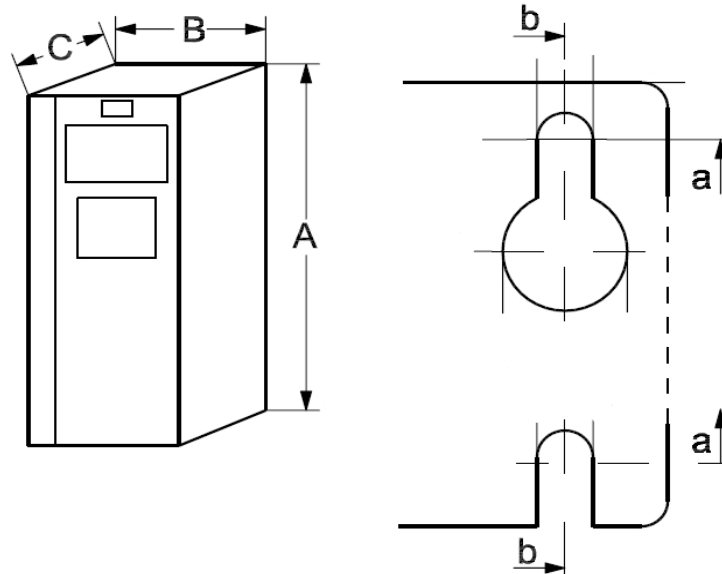
Dimensions		A	B	C	a	b	Weight
IP20 enclosure	(type A2)	268	90	205	257	70	4,9 kg
IP55 enclosure	(type A5)	420	242	195	402	215	13,5 kg

Minimal space under and above drive 100 mm

Dimensions excl. options

Max. powerloss (heat dissipation) at full power :

62 Watt



Danfoss VLT Drives

Configure your drive with our Drive Configurator

0870 241 7100

www.driveconfigurator.com

VLT AQUA Drive

FC 202 1,5 kW 3x380-480V

FC202	PKxx	T4	Exx	H	x	x	x	x	x	x	x	SXXXX	Ax	Bx	Cx	Dx	Price GBP
Power (Basic Price)																	
1,5 kW - 4,1 A	P1K5																403
Enclosure IP 20			E20														0
IP55			E55														85
IP66			E66														185
IP55 with backplate			P55														95
RFI-filter A2				2													0
A1/B1 RFI-filter				1													52
A1/B1 RFI-filter (reduced motorcable ler				3													38
Brakeresistor - none					X												0
with					B												38
Safe Stop					T												20
Brakechopper + Safe Stop					W												58
Display - none					X												0
with numeric display					N												30
with graphic display					G												68
Coating - none						X											0
incl. coating						C											73
General Options - none							x										0
service switch							1										103
Communication Options - None													AX				0
Profibus													A0				99
DeviceNet													A4				75
I/O Options - none														BX			0
Analog I/O														B0			80
General I/O														BK			64
Relay option														BP			70
Cascade Controller Ext.														BY			368
Cascade Controller Adv.														C5			467
D-options - none																DX	0
24Vdc back-up																D0	42

Because of rounding totalprices can differ from the prices on the other side of this page.

Prices valid until: 31/12/2008

VLT AQUA Drive

FC202-P2K2 3x380-480V

2,2 kW / 5,6 A

S2A Standard Version with class 2A RFI-filter

ST Standard version

SW ST + service switch

	Article nr.	Price GBP	Article nr.	Price GBP	Article nr.	Price GBP
	S2A		ST		SW	
IP20 encl. display	131B8902	498	131F3287	563		
IP20 encl. display + Profibus	131H3009	597	131H0635	662		
IP20 encl. + Graphic Display	131B8903	566	131B8906	631		
IP20 encl. + Graphic Display + Profibus	131F6325	665	131F6719	730		
IP55 encl. + Graphic Display	131B8908	651	131B8909	716	131F1399	819
IP55 encl. + Graphic Display + Profibus	131F6327	750	131F6724	815	131H3010	918

Accessories

LC Filter Bookstyle IP20	130B2408	178
LC Filter Compact IP20	130B2443	214

For all other accessories and options see the general FC 200 accessories/options page

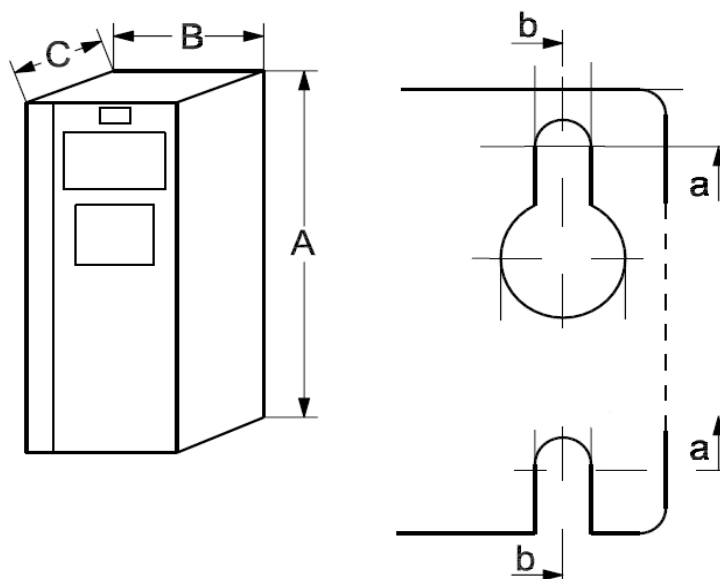
Dimensions		A	B	C	a	b	Weight
IP20 enclosure	(type A2)	268	90	205	257	70	4,9 kg
IP55 enclosure	(type A5)	420	242	195	402	215	13,5 kg

Minimal space under and above drive 100 mm

Dimensions excl. options

Max. powerloss (heat dissipation) at full power :

88 Watt



Danfoss VLT Drives

Configure your drive with our Drive Configurator

0870 241 7100

www.driveconfigurator.com

VLT AQUA Drive

FC 202 2,2 kW 3x380-480V

FC202	PKxx	T4	Exx	H	x	x	x	x	x	x	x	SXXXX	Ax	Bx	Cx	Dx	Price GBP
Power (Basic Price)																	
2,2 kW - 5,6 A	P2K2																498
Enclosure IP 20			E20														0
IP55			E55														85
IP66			E66														185
IP55 with backplate			P55														95
RFI-filter A2				2													0
A1/B1 RFI-filter				1													65
A1/B1 RFI-filter (reduced motorcable ler				3													47
Brakeresistor - none					X												0
with					B												48
Safe Stop					T												24
Brakechopper + Safe Stop					W												72
Display - none					X												0
with numeric display					N												30
with graphic display					G												68
Coating - none						X											0
incl. coating						C											73
General Options - none							x										0
service switch							1										103
Communication Options - None													AX				0
Profibus													A0				99
DeviceNet													A4				75
I/O Options - none														BX			0
Analog I/O														B0			80
General I/O														BK			64
Relay option														BP			70
Cascade Controller Ext.														BY			368
Cascade Controller Adv.														C5			467
D-options - none																DX	0
24Vdc back-up																D0	42

Because of rounding totalprices can differ from the prices on the other side of this page.

Prices valid until: 31/12/2008

VLT AQUA Drive

FC202-P3K0 3x380-480V

3 kW / 7,2 A

S2A Standard Version with class 2A RFI-filter

ST Standard version

SW ST + service switch

	Article nr.	Price GBP	Article nr.	Price GBP	Article nr.	Price GBP
	S2A		ST		SW	
IP20 encl. display	131B8911	562	131F7868	635		
IP20 encl. display + Profibus	131H3011	661	131F7121	734		
IP20 encl. + Graphic Display	131B8912	630	131B8914	703		
IP20 encl. + Graphic Display + Profibus	131H3012	729	131F5691	802		
IP55 encl. + Graphic Display	131B8916	715	131B8917	788	131F1401	891
IP55 encl. + Graphic Display + Profibus	131F6342	814	131F6877	887	131H3013	990

Accessories

LC Filter Bookstyle IP20	130B2408	178				
LC Filter Compact IP20	130B2443	214				

For all other accessories and options see the general FC 200 accessories/options page

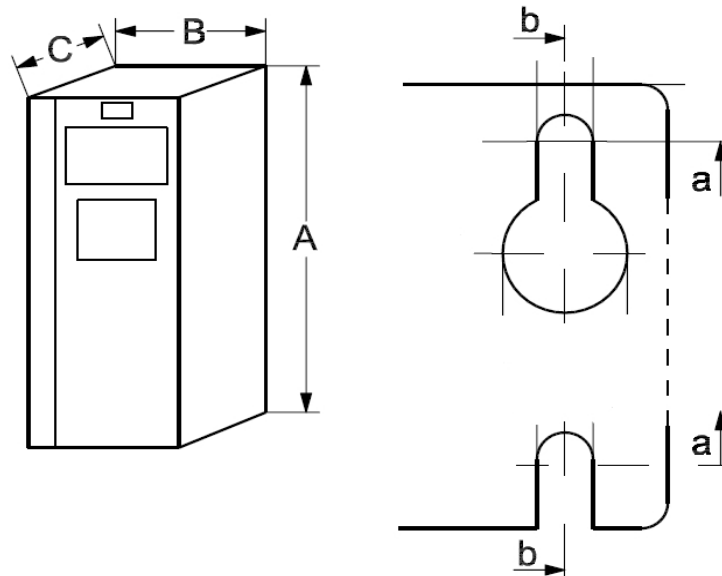
Dimensions		A	B	C	a	b	Weight
IP20 enclosure	(type A2)	268	90	205	257	70	4,9 kg
IP55 enclosure	(type A5)	420	242	195	402	215	13,5 kg

Minimal space under and above drive 100 mm

Dimensions excl. options

Max. powerloss (heat dissipation) at full power :

116 Watt



Danfoss VLT Drives

Configure your drive with our Drive Configurator

0870 241 7100

www.driveconfigurator.com

VLT AQUA Drive

FC 202 3 kW 3x380-480V

FC202	PKxx	T4	Exx	H	x	x	x	x	x	x	x	SXXXX	Ax	Bx	Cx	Dx	Price GBP
Power (Basic Price)																	
3 kW - 7,2 A	P3K0																562
Enclosure IP 20			E20														0
IP55			E55														85
IP66			E66														185
IP55 with backplate			P55														95
RFI-filter A2				2													0
A1/B1 RFI-filter				1													73
A1/B1 RFI-filter (reduced motorcable ler				3													53
Brakeresistor - none					X												0
with					B												53
Safe Stop					T												28
Brakechopper + Safe Stop					W												81
Display - none					X												0
with numeric display					N												30
with graphic display					G												68
Coating - none						X											0
incl. coating						C											73
General Options - none							x										0
service switch							1										103
Communication Options - None													AX				0
Profibus													A0				99
DeviceNet													A4				75
I/O Options - none														BX			0
Analog I/O														B0			80
General I/O														BK			64
Relay option														BP			70
Cascade Controller Ext.														BY			368
Cascade Controller Adv.														C5			467
D-options - none																DX	0
24Vdc back-up																D0	42

Because of rounding totalprices can differ from the prices on the other side of this page.

Prices valid until: 31/12/2008

VLT AQUA Drive

FC202-P4K0 3x380-480V

4 kW / 10 A

S2A Standard Version with class 2A RFI-filter

ST Standard version

SW ST + service switch

	Article nr.	Price GBP	Article nr.	Price GBP	Article nr.	Price GBP
	S2A		ST		SW	
IP20 encl. display	131B8919	602	131F2663	682		
IP20 encl. display + Profibus	131H3014	701	131H0643	781		
IP20 encl. + Graphic Display	131B8920	670	131B8932	750		
IP20 encl. + Graphic Display + Profibus	131H3015	769	131F3159	849		
IP55 encl. + Graphic Display	131B8936	755	131B9332	835	131F1407	938
IP55 encl. + Graphic Display + Profibus	131F6343	854	131F1665	934	131H3016	1037

Accessories

LC Filter Bookstyle IP20	130B2409	209
LC Filter Compact IP20	130B2444	250

For all other accessories and options see the general FC 200 accessories/options page

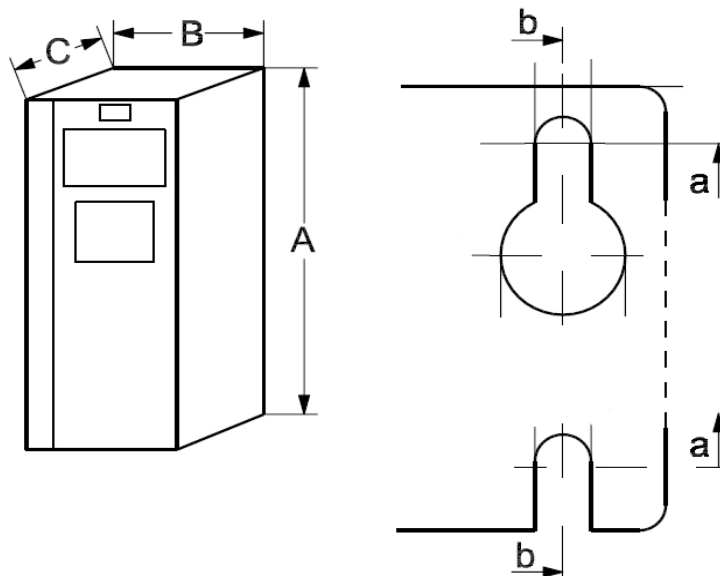
Dimensions		A	B	C	a	b	Weight
IP20 enclosure	(type A2)	268	90	205	257	70	4,9 kg
IP55 enclosure	(type A5)	420	242	195	402	215	13,5 kg

Minimal space under and above drive 100 mm

Dimensions excl. options

Max. powerloss (heat dissipation) at full power :

124 Watt



Danfoss VLT Drives

Configure your drive with our Drive Configurator

0870 241 7100

www.driveconfigurator.com

VLT AQUA Drive

FC 202 4 kW 3x380-480V

FC202	PKxx	T4	Exx	H	x	x	x	x	x	x	x	SXXXX	Ax	Bx	Cx	Dx	Price GBP
Power (Basic Price)																	
4 kW - 10 A	P4K0																602
Enclosure IP 20			E20														0
IP55			E55														85
IP66			E66														185
IP55 with backplate			P55														95
RFI-filter A2				2													0
A1/B1 RFI-filter				1													80
A1/B1 RFI-filter (reduced motorcable ler				3													58
Brakeresistor - none					X												0
with					B												58
Safe Stop					T												30
Brakechopper + Safe Stop					W												87
Display - none					X												0
with numeric display					N												30
with graphic display					G												68
Coating - none						X											0
incl. coating						C											73
General Options - none							x										0
service switch							1										103
Communication Options - None													AX				0
Profibus													A0				99
DeviceNet													A4				75
I/O Options - none														BX			0
Analog I/O														B0			80
General I/O														BK			64
Relay option														BP			70
Cascade Controller Ext.														BY			368
Cascade Controller Adv.														C5			467
D-options - none																DX	0
24Vdc back-up																D0	42

Because of rounding totalprices can differ from the prices on the other side of this page.

Prices valid until: 31/12/2008

VLT AQUA Drive

FC202-P5K5 3x380-480V

5,5 kW / 13 A

S2A Standard Version with class 2A RFI-filter

ST Standard version

SW ST + service switch

	Article nr.	Price GBP	Article nr.	Price GBP	Article nr.	Price GBP
	S2A		ST		SW	
IP20 encl. display	131B8938	704	131F3110	798		
IP20 encl. display + Profibus	131H3021	803	131H0631	897		
IP20 encl. + Graphic Display	131B8940	772	131B8942	866		
IP20 encl. + Graphic Display + Profibus	131F6328	871	131F5358	965		
IP55 encl. + Graphic Display	131B8946	857	131B8947	951	131F1408	1054
IP55 encl. + Graphic Display + Profibus	131F6329	956	131F3129	1050	131H3027	1153

Accessories

LC Filter Bookstyle IP20	130B2411	229
LC Filter Compact IP20	130B2446	274

For all other accessories and options see the general FC 200 accessories/options page

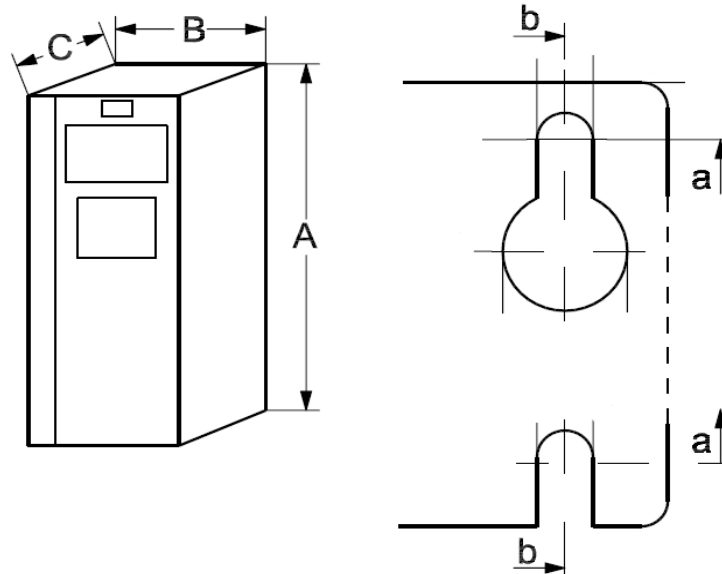
Dimensions		A	B	C	a	b	Weight
IP20 enclosure	(type A3)	268	130	205	257	110	6,6 kg
IP55 enclosure	(type A5)	420	242	195	402	215	14,2 kg

Minimal space under and above drive 100 mm

Dimensions excl. options

Max. powerloss (heat dissipation) at full power :

187 Watt



Danfoss VLT Drives

Configure your drive with our Drive Configurator

0870 241 7100

www.driveconfigurator.com

VLT AQUA Drive

FC 202 7,5 kW 3x380-480V

FC202	PKxx	T4	Exx	H	x	x	x	x	x	x	x	x	SXXXX	Ax	Bx	Cx	Dx	Price GBP
Power (Basic Price)																		
5,5 kW - 13 A	P5K5																	704
Enclosure IP 20			E20															0
IP55			E55															85
IP66			E66															185
IP55 with backplate			P55															95
RFI-filter A2				2														0
A1/B1 RFI-filter				1														94
A1/B1 RFI-filter (reduced motorcable ler				3														69
Brakeresistor - none					X													0
with					B													69
Safe Stop					T													35
Brakechopper + Safe Stop					W													103
Display - none					X													0
with numeric display					N													30
with graphic display					G													68
Coating - none						X												0
incl. coating						C												73
General Options - none								x										0
service switch								1										103
Communication Options - None														AX				0
Profibus														A0				99
DeviceNet														A4				75
I/O Options - none															BX			0
Analog I/O															B0			80
General I/O															BK			64
Relay option															BP			70
Cascade Controller Ext.															BY			368
Cascade Controller Adv.															C5			467
D-options - none																	DX	0
24Vdc back-up																	D0	42

Because of rounding total prices can differ from the prices on the other side of this page.

Prices valid until: 31/12/2008

VLT AQUA Drive

FC202-P7K5 3x380-480V

7,5 kW / 16 A

S2A Standard Version with class 2A RFI-filter

ST Standard version

SW ST + service switch

	Article nr.	Price GBP	Article nr.	Price GBP	Article nr.	Price GBP
	S2A		ST		SW	
IP20 encl. display	131B8949	796	131F5474	905		
IP20 encl. display + Profibus	131F5628	895	131H2218	1004		
IP20 encl. + Graphic Display	131B8650	864	131B8289	973		
IP20 encl. + Graphic Display + Profibus	131F6331	963	131F1622	1072		
IP55 encl. + Graphic Display	131B8957	949	131B8972	1058	131F1412	1161
IP55 encl. + Graphic Display + Profibus	131F6330	1048	131F1664	1157	131H3676	1260

Accessories

LC Filter Bookstyle IP20	130B2411	229
LC Filter Compact IP20	130B2446	274

For all other accessories and options see the general FC 200 accessories/options page

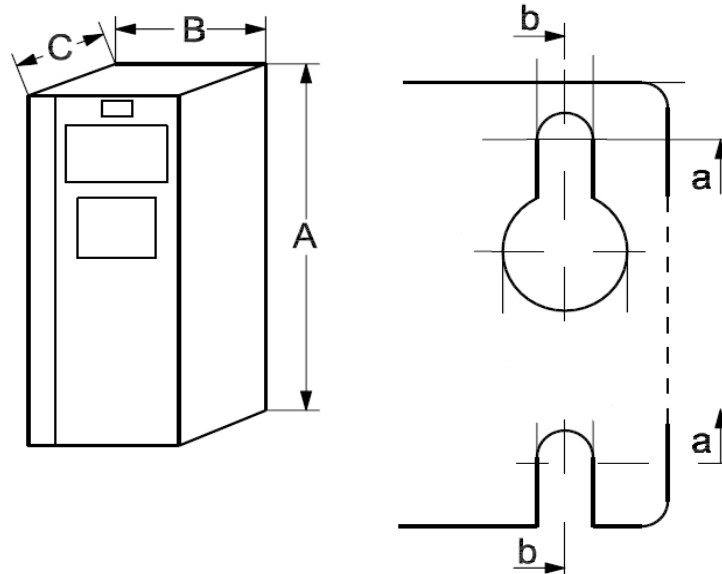
Dimensions		A	B	C	a	b	Weight
IP20 enclosure	(type A3)	268	130	205	257	110	6,6 kg
IP55 enclosure	(type A5)	420	242	195	402	215	14,2 kg

Minimal space under and above drive 100 mm

Dimensions excl. options

Max. powerloss (heat dissipation) at full power :

255 Watt



Danfoss VLT Drives

Configure your drive with our Drive Configurator

0870 241 7100

www.driveconfigurator.com

VLT AQUA Drive

FC 202 7,5 kW 3x380-480V

FC202	PKxx	T4	Exx	H	x	x	x	x	x	x	x	SXXXX	Ax	Bx	Cx	Dx	Price GBP
Power (Basic Price)																	
7,5 kW - 16 A	P7K5																796
Enclosure IP 20			E20														0
IP55			E55														85
IP66			E66														185
IP55 with backplate			P55														95
RFI-filter A2				2													0
A1/B1 RFI-filter				1													109
A1/B1 RFI-filter (reduced motorcable ler				3													80
Brakeresistor - none					X												0
with					B												80
Safe Stop					T												39
Brakechopper + Safe Stop					W												118
Display - none					X												0
with numeric display					N												30
with graphic display					G												68
Coating - none						X											0
incl. coating						C											73
General Options - none							x										0
service switch							1										103
Communication Options - None													AX				0
Profibus													A0				99
DeviceNet													A4				75
I/O Options - none														BX			0
Analog I/O														B0			80
General I/O														BK			64
Relay option														BP			70
Cascade Controller Ext.														BY			368
Cascade Controller Adv.														C5			467
D-options - none																DX	0
24Vdc back-up																D0	42

Because of rounding totalprices can differ from the prices on the other side of this page.

Prices valid until: 31/12/2008

VLT AQUA Drive

FC202-P11K 3x380-480V

11 kW / 24 A

S2A Standard Version with class 2A RFI-filter

ST Standard version

SW ST + service switch

	Article nr.	Price GBP	Article nr.	Price GBP	Article nr.	Price GBP
	S2A		ST		SW	
IP20 encl. display	131F3061	1035	131F7881	1186		
IP20 encl. display + Profibus	131H3688	1134	131H0632	1285		
IP20 encl. + Graphic Display	131F6637	1103	131F6639	1254		
IP20 encl. + Graphic Display + Profibus	131F9275	1202	131F7503	1353		
IP55 encl. + Graphic Display	131B9000	1248	131B9001	1399	131F1417	1568
IP55 encl. + Graphic Display + Profibus	131F6333	1347	131F0910	1498	131F7497	1667

Accessories

LC Filter Bookstyle IP20	130B2412	356
LC Filter Compact IP20	130B2447	427

For all other accessories and options see the general FC 200 accessories/options page

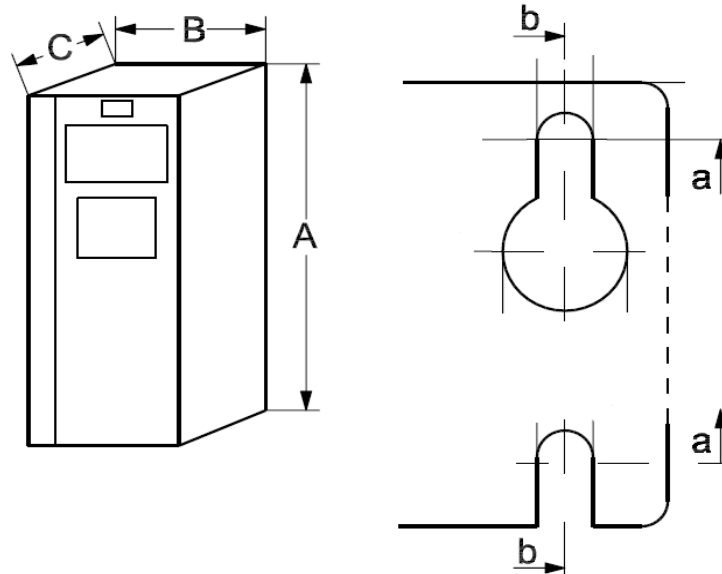
Dimensions		A	B	C	a	b	Weight
IP20 enclosure	(type B3)	399	165	249	380	140	12 kg
IP55 enclosure	(type B1)	480	242	260	454	210	23 kg

Minimal space under and above drive 200 mm

Dimensions excl. options

Max. powerloss (heat dissipation) at full power :

278 Watt



Danfoss VLT Drives

Configure your drive with our Drive Configurator

0870 241 7100

www.driveconfigurator.com

VLT AQUA Drive

FC 202 11 kW 3x380-480V

FC202	PKxx	T4	Exx	H	x	x	x	x	x	x	x	SXXXX	Ax	Bx	Cx	Dx	Price GBP
Power (Basic Price)																	
11 kW - 24 A	P11K																1035
Enclosure IP 20			E20														0
IP21			E21														93
IP55			E55														145
IP66			E66														238
IP21 with backplate			P21														104
IP55 with backplate			P55														158
RFI-filter A2				2													0
A1/B1 RFI-filter				1													151
A1/B1 RFI-filter (reduced motorcable ler				3													114
Brakeresistor - none					X												0
with					B												97
Safe Stop					T												46
Brakechopper + Safe Stop					W												143
Display - none						X											0
with numeric display						N											30
with graphic display						G											68
Coating - none							X										0
incl. coating							C										73
General Options - none								x									0
service switch								1									169
Service switch + Loadsharing								8									238
Loadsharing								D									69
Communication Options - None													AX				0
Profibus													A0				99
DeviceNet													A4				75
I/O Options - none														BX			0
Analog I/O														B0			80
General I/O														BK			64
Relay option														BP			70
Cascade Controller Ext.														BY			368
Cascade Controller Adv.														C5			467
D-options - none																DX	0
24Vdc back-up																D0	42

Because of rounding totalprices can differ from the prices on the other side of this page.

Prices valid until: 31/12/2008

VLT AQUA Drive

FC202-P15K 3x380-480V

15 kW / 32 A

S2A Standard Version with class 2A RFI-filter

ST Standard version

SW ST + service switch

	Article nr.	Price GBP	Article nr.	Price GBP	Article nr.	Price GBP
	S2A		ST		SW	
IP20 encl. display	131F3062	1191	131F7885	1347		
IP20 encl. display + Profibus	131H3700	1290	131H0633	1446		
IP20 encl. + Graphic Display	131F6641	1259	131F6644	1415		
IP20 encl. + Graphic Display + Profibus	131H1590	1358	131F7504	1514		
IP55 encl. + Graphic Display	131B9007	1426	131B9008	1582	131F1422	1751
IP55 encl. + Graphic Display + Profibus	131F6192	1525	131F1026	1681	131H3705	1850

Accessories

LC Filter Bookstyle IP20	130B2413	467
LC Filter Compact IP20	130B2448	596

For all other accessories and options see the general FC 200 accessories/options page

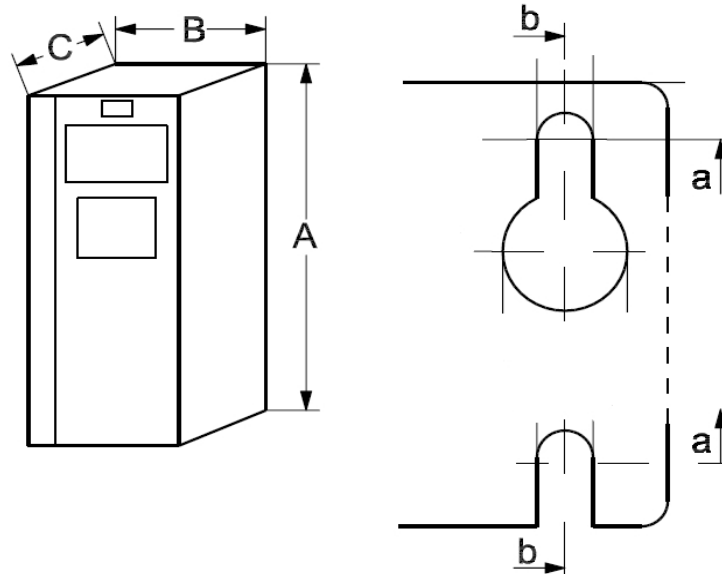
Dimensions		A	B	C	a	b	Weight
IP20 enclosure	(type B3)	399	165	249	380	140	12 kg
IP55 enclosure	(type B1)	480	242	260	454	210	23 kg

Minimal space under and above drive 200 mm

Dimensions excl. options

Max. powerloss (heat dissipation) at full power :

392 Watt



Danfoss VLT Drives

Configure your drive with our Drive Configurator

0870 241 7100

www.driveconfigurator.com

VLT AQUA Drive

FC 202 15 kW 3x380-480V

FC202	PKxx	T4	Exx	H	x	x	x	x	x	x	x	SXXXX	Ax	Bx	Cx	Dx	Price GBP
Power (Basic Price)																	
15 kW - 32 A	P15K																1191
Enclosure IP 20			E20														0
IP21			E21														112
IP55			E55														168
IP66			E66														279
IP21 with backplate			P21														123
IP55 with backplate			P55														181
RFI-filter A2				2													0
A1/B1 RFI-filter				1													156
A1/B1 RFI-filter (reduced motorcable ler				3													119
Brakeresistor - none					X												0
with					B												108
Safe Stop					T												53
Brakechopper + Safe Stop					W												161
Display - none						X											0
with numeric display						N											30
with graphic display						G											68
Coating - none							X										0
incl. coating							C										73
General Options - none								x									0
service switch								1									169
Service switch + Loadsharing								8									248
Loadsharing								D									79
Communication Options - None													AX				0
Profibus													A0				99
DeviceNet													A4				75
I/O Options - none														BX			0
Analog I/O														B0			80
General I/O														BK			64
Relay option														BP			70
Cascade Controller Ext.														BY			368
Cascade Controller Adv.														C5			467
D-options - none																DX	0
24Vdc back-up																D0	42

Because of rounding totalprices can differ from the prices on the other side of this page.

Prices valid until: 31/12/2008

VLT AQUA Drive

FC202-P18K 3x380-480V

18,5 kW / 37,5 A

S2A Standard Version with class 2A RFI-filter

ST Standard version

SW ST + service switch

	Article nr.	Price GBP	Article nr.	Price GBP	Article nr.	Price GBP
	S2A		ST		SW	
IP20 encl. display	131F3063	1514	131F7889	1692		
IP20 encl. display + Profibus	131H3717	1613	131H3722	1791		
IP20 encl. + Graphic Display	131F6645	1582	131F6648	1760		
IP20 encl. + Graphic Display + Profibus	131H3720	1681	131F7505	1859		
IP55 encl. + Graphic Display	131B9015	1793	131B9016	1971	131F2050	2140
IP55 encl. + Graphic Display + Profibus	131H3726	1892	131F2468	2070	131H3729	2239

Accessories

LC Filter Bookstyle IP20	130B2413	467
LC Filter Compact IP20	130B2448	596

For all other accessories and options see the general FC 200 accessories/options page

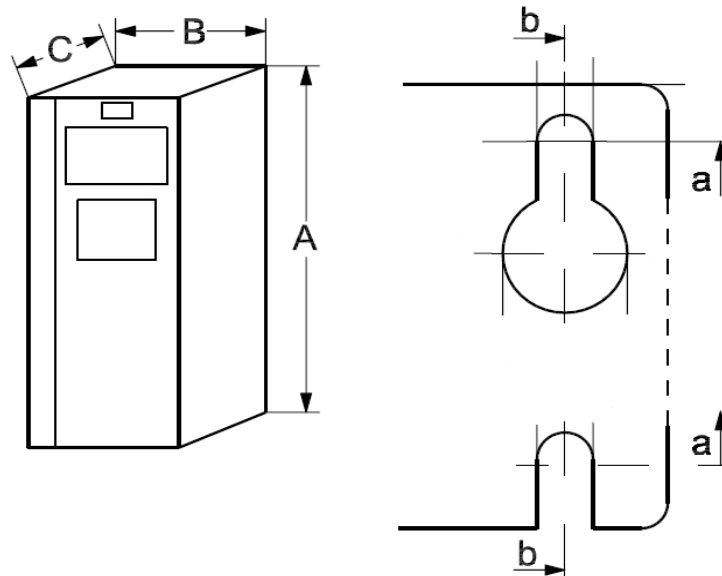
Dimensions		A	B	C	a	b	Weight
IP20 enclosure	(type B3)	399	165	249	380	140	12 kg
IP55 enclosure	(type B1)	480	242	260	454	210	23 kg

Minimal space under and above drive 200 mm

Dimensions excl. options

Max. powerloss (heat dissipation) at full power :

465 Watt



Danfoss VLT Drives

Configure your drive with our Drive Configurator

0870 241 7100

www.driveconfigurator.com

VLT AQUA Drive

FC 202 18,5 kW 3x380-480V

FC202	PKxx	T4	Exx	H	x	x	x	x	x	x	x	SXXXX	Ax	Bx	Cx	Dx	Price GBP
Power (Basic Price)																	
18,5 kW - 37,5 A	P18K																1514
Enclosure IP 20			E20														0
IP21			E21														141
IP55			E55														212
IP66			E66														353
IP21 with backplate			P21														152
IP55 with backplate			P55														225
RFI-filter A2				2													0
A1/B1 RFI-filter				1													178
A1/B1 RFI-filter (reduced motorcable ler				3													145
Brakeresistor - none					X												0
with					B												137
Safe Stop					T												68
Brakechopper + Safe Stop					W												205
Display - none						X											0
with numeric display						N											30
with graphic display						G											68
Coating - none							X										0
incl. coating							C										73
General Options - none								x									0
service switch								1									169
Service switch + Loadsharing								8									252
Loadsharing								D									83
Communication Options - None													AX				0
Profibus													A0				99
DeviceNet													A4				75
I/O Options - none														BX			0
Analog I/O														B0			80
General I/O														BK			64
Relay option														BP			70
Cascade Controller Ext.														BY			368
Cascade Controller Adv.														C5			467
D-options - none																DX	0
24Vdc back-up																D0	42

Because of rounding totalprices can differ from the prices on the other side of this page.

Prices valid until: 31/12/2008

VLT AQUA Drive

FC202-P22K 3x380-480V

22 kW / 44 A

S2A Standard Version with class 2A RFI-filter

ST Standard version

SW ST + service switch

	Article nr.	Price GBP	Article nr.	Price GBP	Article nr.	Price GBP
	S2A		ST		SW	
IP20 encl. display	131F6764	1783	131H4086	1984		
IP20 encl. display + Profibus	131G2107	1882	131H7362	2083		
IP20 encl. + Graphic Display	131F6765	1851	131F6768	2052		
IP20 encl. + Graphic Display + Profibus	131H4258	1950	131H3032	2151		
IP55 encl. + Graphic Display	131B9024	2101	131B9025	2302	131F2051	2471
IP55 encl. + Graphic Display + Profibus	131F6334	2200	131F1027	2401	131H3742	2570

Accessories

LC Filter Bookstyle IP20	130B2281	706
LC Filter Compact IP20	130B2307	1045

For all other accessories and options see the general FC 200 accessories/options page

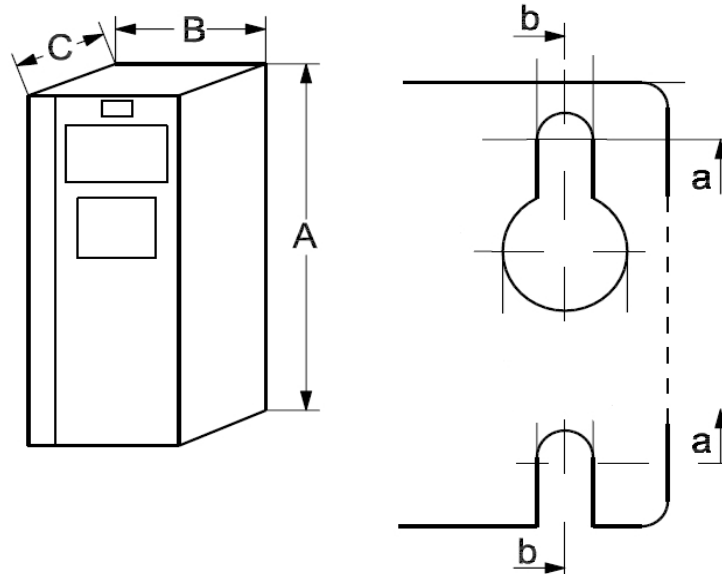
Dimensions		A	B	C	a	b	Weight
IP20 enclosure	(type B4)	520	230	242	495	200	23,5 kg
IP55 enclosure	(type B2)	650	242	260	624	210	27 kg

Minimal space under and above drive 200 mm

Dimensions excl. options

Max. powerloss (heat dissipation) at full power :

525 Watt



Danfoss VLT Drives

Configure your drive with our Drive Configurator

0870 241 7100

www.driveconfigurator.com

VLT AQUA Drive

FC 202 22 kW 3x380-480V

FC202	PKxx	T4	Exx	H	x	x	x	x	x	x	x	SXXXX	Ax	Bx	Cx	Dx	Price GBP
Power (Basic Price)	↑		↑		↑	↑	↑	↑	↑	↑			↑	↑	↑	↑	
22 kW - 44 A	P22K																1783
Enclosure IP 20			E20														0
IP21			E21														167
IP55			E55														250
IP66			E66														417
IP21 with backplate			P21														178
IP55 with backplate			P55														263
RFI-filter A2				2													0
A1/B1 RFI-filter				1													201
A1/B1 RFI-filter (reduced motorcable ler				3													167
Brakeresistor - none					X												0
with					B												156
Safe Stop					T												80
Brakechopper + Safe Stop					W												236
Display - none					X												0
with numeric display					N												30
with graphic display					G												68
Coating - none						X											0
incl. coating						C											73
General Options - none							x										0
service switch							1										169
Service switch + Loadsharing							8										267
Loadsharing							D										98
Communication Options - None													AX				0
Profibus													A0				99
DeviceNet													A4				75
I/O Options - none														BX			0
Analog I/O														B0			80
General I/O														BK			64
Relay option														BP			70
Cascade Controller Ext.														BY			368
Cascade Controller Adv.														C5			467
D-options - none																DX	0
24Vdc back-up																D0	42

Because of rounding totalprices can differ from the prices on the other side of this page.

Prices valid until: 31/12/2008

VLT AQUA Drive

FC202-P30K 3x380-480V

30 kW / 61 A

S2A Standard Version with class 2A RFI-filter

ST Standard version

SW ST + service switch

	Article nr.	Price GBP	Article nr.	Price GBP	Article nr.	Price GBP
	S2A		ST		SW	
IP20 encl. display	131F6769	2084	131H4088	2316		
IP20 encl. display + Profibus	131H5712	2183	131H5714	2415		
IP20 encl. + Graphic Display	131F6770	2152	131F6773	2384		
IP20 encl. + Graphic Display + Profibus	131H5713	2251	131H3039	2483		
IP55 encl. + Graphic Display	131B9037	2443	131B9038	2675	131F2052	2844
IP55 encl. + Graphic Display + Profibus	131F4785	2542	131F7008	2774	131H3744	2943

Accessories

LC Filter Bookstyle IP20	130B2282	875
LC Filter Compact IP20	130B2308	1236

For all other accessories and options see the general FC 200 accessories/options page

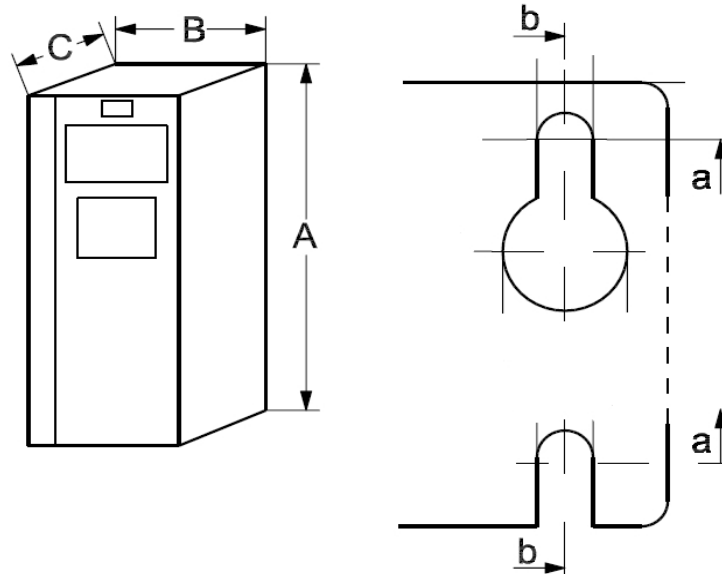
Dimensions		A	B	C	a	b	Weight
IP20 enclosure	(type B4)	520	230	242	495	200	23,5 kg
IP55 enclosure	(type B2)	650	242	260	624	210	27 kg

Minimal space under and above drive 200 mm

Dimensions excl. options

Max. powerloss (heat dissipation) at full power :

698 Watt



Danfoss VLT Drives

Configure your drive with our Drive Configurator

0870 241 7100

www.driveconfigurator.com

VLT AQUA Drive

FC 202 30 kW 3x380-480V

FC202	PKxx	T4	Exx	H	x	x	x	x	x	x	x	SXXXX	Ax	Bx	Cx	Dx	Price GBP
Power (Basic Price)																	
30 kW - 61 A	P30K																2084
Enclosure IP 20			E20														0
IP21			E21														195
IP55			E55														292
IP66			E66														486
IP21 with backplate			P21														206
IP55 with backplate			P55														305
RFI-filter A2				2													0
A1/B1 RFI-filter				1													232
A1/B1 RFI-filter (reduced motorcable ler				3													198
Brakeresistor - none					X												0
with					B												176
Safe Stop					T												92
Brakechopper + Safe Stop					W												268
Display - none						X											0
with numeric display						N											30
with graphic display						G											68
Coating - none							X										0
incl. coating							C										73
General Options - none								x									0
service switch								1									169
Service switch + Loadsharing								8									274
Loadsharing								D									105
Communication Options - None													AX				0
Profibus													A0				99
DeviceNet													A4				75
I/O Options - none														BX			0
Analog I/O														B0			80
General I/O														BK			64
Relay option														BP			70
Cascade Controller Ext.														BY			368
Cascade Controller Adv.														C5			467
D-options - none																DX	0
24Vdc back-up																D0	42

Because of rounding totalprices can differ from the prices on the other side of this page.

Prices valid until: 31/12/2008

VLT AQUA Drive

FC202-P37K 3x380-480V

37,5 kW / 73 A

S2A Standard Version with class 2A RFI-filter

ST Standard version

SW ST + service switch

	Article nr.	Price GBP	Article nr.	Price GBP	Article nr.	Price GBP
	S2A		ST		SW	
IP20 encl. display	131F6774	2565	131H4089	2803		
IP20 encl. display + Profibus	131H5715	2664	131H5717	2902		
IP20 encl. + Graphic Display	131F6775	2633	131F6778	2871		
IP20 encl. + Graphic Display + Profibus	131H5716	2732	131H3044	2970		
IP55 encl. + Graphic Display	131B9045	2928	131B9046	3166	131F2053	3415
IP55 encl. + Graphic Display + Profibus	131F6336	3027	131F3035	3265	131H3803	3514

Accessories

LC Filter Bookstyle IP20	130B2283	1070
LC Filter Compact IP20	130B2309	1425

For all other accessories and options see the general FC 200 accessories/options page

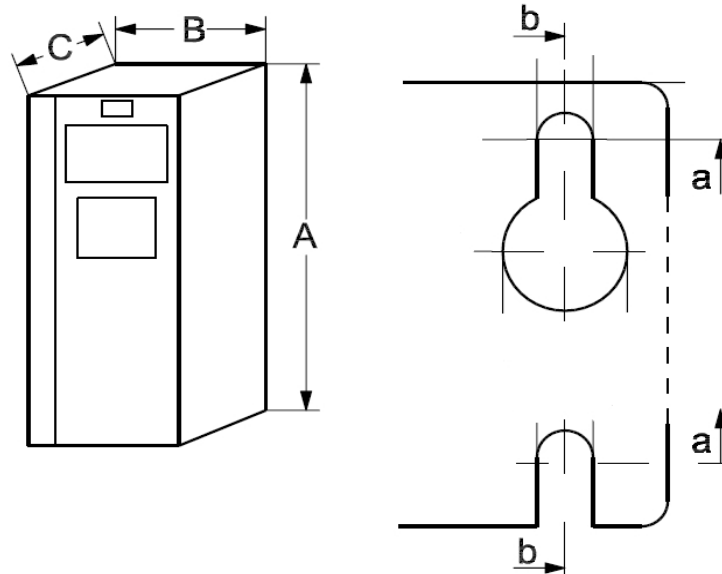
Dimensions		A	B	C	a	b	Weight
IP20 enclosure	(type B4)	520	230	242	495	200	23,5 kg
IP55 enclosure	(type C1)	680	308	310	648	272	45 kg

Minimal space under and above drive 200 mm

Dimensions excl. options

Max. powerloss (heat dissipation) at full power :

739 Watt



Danfoss VLT Drives

Configure your drive with our Drive Configurator

0870 241 7100

www.driveconfigurator.com

VLT AQUA Drive

FC 202 37,5 kW 3x380-480V

FC202	PKxx	T4	Exx	H	x	x	x	x	x	x	x	SXXXX	Ax	Bx	Cx	Dx	Price GBP
Power (Basic Price)	↑		↑	↑	↑	↑	↑	↑	↑	↑	↑		↑	↑	↑	↑	
37,5 kW - 73 A	P37K																2565
Enclosure IP 20			E20														0
IP21			E21														237
IP55			E55														296
IP66			E66														533
IP21 with backplate			P21														250
IP55 with backplate			P55														313
RFI-filter A2				2													0
A1/B1 RFI-filter				1													238
A1/B1 RFI-filter (reduced motorcable ler				3													208
Brakeresistor - none					X												0
with					B												222
Safe Stop					T												114
Brakechopper + Safe Stop					W												336
Display - none						X											0
with numeric display						N											30
with graphic display						G											68
Coating - none							X										0
incl. coating							C										146
General Options - none								x									0
service switch								1									249
Service switch + Loadsharing								8									369
Loadsharing								D									120
Communication Options - None													AX				0
Profibus													A0				99
DeviceNet													A4				75
I/O Options - none														BX			0
Analog I/O														B0			80
General I/O														BK			64
Relay option														BP			70
Cascade Controller Ext.														BY			368
Cascade Controller Adv.														C5			467
D-options - none																DX	0
24Vdc back-up																D0	42

Because of rounding totalprices can differ from the prices on the other side of this page.

Prices valid until: 31/12/2008

VLT AQUA Drive

FC202-P45K 3x380-480V

45 kW / 90 A

S2A Standard Version with class 2A RFI-filter

ST Standard version

SW ST + service switch

	Article nr.	Price GBP	Article nr.	Price GBP	Article nr.	Price GBP
	S2A		ST		SW	
IP20 encl. display	131F3069	3151	131H5720	3434		
IP20 encl. display + Profibus	131H5718	3250	131H5725	3533		
IP20 encl. + Graphic Display	131F6650	3219	131F6653	3502		
IP20 encl. + Graphic Display + Profibus	131H5719	3318	131H3206	3601		
IP55 encl. + Graphic Display	131B9052	3583	131B9053	3866	131F2054	4115
IP55 encl. + Graphic Display + Profibus	131F6495	3682	131F2469	3965	131H1943	4214

Accessories

LC Filter Bookstyle IP20	130B2284	1454
LC Filter Compact IP20	130B2310	1938

For all other accessories and options see the general FC 200 accessories/options page

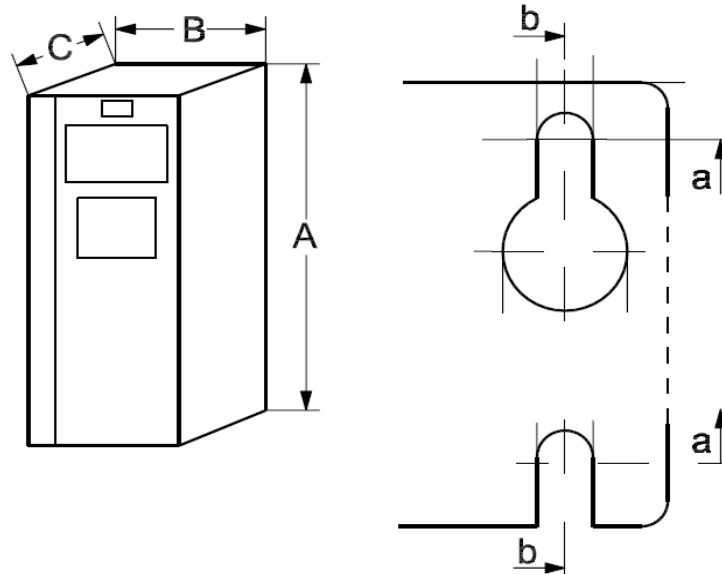
Dimensions		A	B	C	a	b	Weight
IP20 enclosure	(type C3)	550	308	333	521	270	35 kg
IP55 enclosure	(type C1)	680	308	310	648	272	45 kg

Minimal space under and above drive 200 mm

Dimensions excl. options

Max. powerloss (heat dissipation) at full power :

843 Watt



Danfoss VLT Drives

Configure your drive with our Drive Configurator

0870 241 7100

www.driveconfigurator.com

VLT AQUA Drive

FC 202 45 kW 3x380-480V

FC202	PKxx	T4	Exx	H	x	x	x	x	x	x	x	SXXXX	Ax	Bx	Cx	Dx	Price GBP
Power (Basic Price)																	
45 kW - 90 A	P45K																3151
Enclosure IP 20			E20														0
IP21			E21														291
IP55			E55														364
IP66			E66														655
IP21 with backplate			P21														305
IP55 with backplate			P55														381
RFI-filter A2				2													0
A1/B1 RFI-filter				1													283
A1/B1 RFI-filter (reduced motorcable ler				3													250
Brakeresistor - none					X												0
with					B												273
Safe Stop					T												140
Brakechopper + Safe Stop					W												414
Display - none						X											0
with numeric display						N											30
with graphic display						G											68
Coating - none							X										0
incl. coating							C										146
General Options - none								x									0
service switch								1									249
Service switch + Loadsharing								8									374
Loadsharing								D									125
Communication Options - None													AX				0
Profibus													A0				99
DeviceNet													A4				75
I/O Options - none														BX			0
Analog I/O														B0			80
General I/O														BK			64
Relay option														BP			70
Cascade Controller Ext.														BY			368
Cascade Controller Adv.														C5			467
D-options - none																DX	0
24Vdc back-up																D0	42

Because of rounding totalprices can differ from the prices on the other side of this page.

Prices valid until: 31/12/2008

VLT AQUA Drive

FC202-P55K 3x380-480V

55 kW / 106 A

S2A Standard Version with class 2A RFI-filter

ST Standard version

SW ST + service switch

	Article nr.	Price GBP	Article nr.	Price GBP	Article nr.	Price GBP
	S2A		ST		SW	
IP20 encl. display	131F3070	3787	131H5723	4170		
IP20 encl. display + Profibus	131H5721	3886	131H5724	4269		
IP20 encl. + Graphic Display	131F6654	3855	131F6657	4238		
IP20 encl. + Graphic Display + Profibus	131H5722	3954	131H3211	4337		
IP55 encl. + Graphic Display	131B9063	4291	131B9064	4674	131F2055	4923
IP55 encl. + Graphic Display + Profibus	131F4786	4390	131F2470	4773	131H3806	5022

Accessories

LC Filter Bookstyle IP20	130B2284	1454
LC Filter Compact IP20	130B2310	1938

For all other accessories and options see the general FC 200 accessories/options page

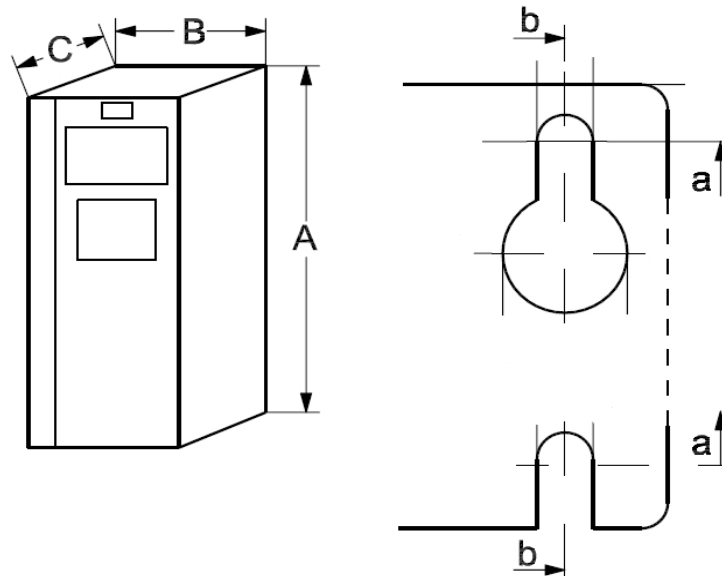
Dimensions		A	B	C	a	b	Weight
IP20 enclosure	(type C3)	550	308	333	521	270	35 kg
IP55 enclosure	(type C1)	680	308	310	648	272	45 kg

Minimal space under and above drive 200 mm

Dimensions excl. options

Max. powerloss (heat dissipation) at full power :

1083 Watt



Danfoss VLT Drives

Configure your drive with our Drive Configurator

0870 241 7100

www.driveconfigurator.com

VLT AQUA Drive

FC 202 55 kW 3x380-480V

FC202	PKxx	T4	Exx	H	x	x	x	x	x	x	x	SXXXX	Ax	Bx	Cx	Dx	Price GBP
Power (Basic Price)																	
55 kW - 106 A	P55K																3787
Enclosure IP 20			E20														0
IP21			E21														350
IP55			E55														436
IP66			E66														786
IP21 with backplate			P21														364
IP55 with backplate			P55														453
RFI-filter A2				2													0
A1/B1 RFI-filter				1													383
A1/B1 RFI-filter (reduced motorcable ler				3													341
Brakeresistor - none					X												0
with					B												327
Safe Stop					T												169
Brakechopper + Safe Stop					W												496
Display - none						X											0
with numeric display						N											30
with graphic display						G											68
Coating - none							X										0
incl. coating							C										146
General Options - none								x									0
service switch								1									249
Service switch + Loadsharing								8									395
Loadsharing								D									146
Communication Options - None													AX				0
Profibus													A0				99
DeviceNet													A4				75
I/O Options - none														BX			0
Analog I/O														B0			80
General I/O														BK			64
Relay option														BP			70
Cascade Controller Ext.														BY			368
Cascade Controller Adv.														C5			467
D-options - none																DX	0
24Vdc back-up																D0	42

Because of rounding totalprices can differ from the prices on the other side of this page.

Prices valid until: 31/12/2008

VLT AQUA Drive

FC202-P75K 3x380-480V

75 kW / 147 A

S2A Standard Version with class 2A RFI-filter

ST Standard version

SW ST + service switch

	Article nr.	Price GBP	Article nr.	Price GBP	Article nr.	Price GBP
	S2A		ST		SW	
IP20 encl. display	131F3071	4310	131H2110	4817		
IP20 encl. display + Profibus	131H3808	4409	131H2283	4916		
IP20 encl. + Graphic Display	131F6658	4378	131F6661	4885		
IP20 encl. + Graphic Display + Profibus	131H3809	4477	131H2255	4984		
IP55 encl. + Graphic Display	131B9070	4876	131B9071	5383	131F2056	5761
IP55 encl. + Graphic Display + Profibus	131F6337	4975	131F6746	5482	131H3810	5860

Accessories

LC Filter Bookstyle IP20	130B2285	2097
LC Filter Compact IP20	130B2311	2798

For all other accessories and options see the general FC 200 accessories/options page

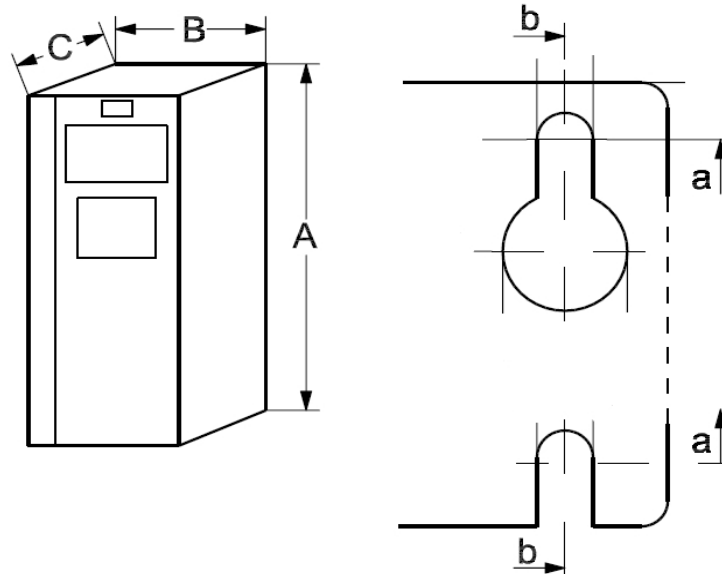
Dimensions		A	B	C	a	b	Weight
IP20 enclosure	(type C4)	660	370	333	631	330	50 kg
IP55 enclosure	(type C2)	770	370	335	739	334	65 kg

Minimal space under and above drive 225 mm

Dimensions excl. options

Max. powerloss (heat dissipation) at full power :

1384 Watt



Danfoss VLT Drives

Configure your drive with our Drive Configurator

0870 241 7100

www.driveconfigurator.com

VLT AQUA Drive

FC 202 75 kW 3x380-480V

FC202	PKxx	T4	Exx	H	x	x	x	x	x	x	x	SXXXX	Ax	Bx	Cx	Dx	Price GBP
Power (Basic Price)																	
75 kW - 147 A	P75K																4310
Enclosure IP 20			E20														0
IP21			E21														399
IP55			E55														498
IP66			E66														896
IP21 with backplate			P21														413
IP55 with backplate			P55														515
RFI-filter A2				2													0
A1/B1 RFI-filter				1													507
A1/B1 RFI-filter (reduced motorcable ler				3													456
Brakeresistor - none					X												0
with					B												373
Safe Stop					T												192
Brakechopper + Safe Stop					W												565
Display - none						X											0
with numeric display						N											30
with graphic display						G											68
Coating - none							X										0
incl. coating							C										146
General Options - none									x								0
service switch									1								378
Loadsharing									D								166
Communication Options - None													AX				0
Profibus													A0				99
DeviceNet													A4				75
I/O Options - none														BX			0
Analog I/O														B0			80
General I/O														BK			64
Relay option														BP			70
Cascade Controller Ext.														BY			368
Cascade Controller Adv.														C5			467
D-options - none																DX	0
24Vdc back-up																D0	42

Because of rounding totalprices can differ from the prices on the other side of this page.

Prices valid until: 31/12/2008

VLT AQUA Drive

FC202-P90K 3x380-480V

90 kW / 177 A

S2A Standard Version with class 2A RFI-filter

ST Standard version

SW ST + service switch

	Article nr.	Price GBP	Article nr.	Price GBP	Article nr.	Price GBP
	S2A		ST		SW	
IP20 encl. display	131F3072	5082	131H2265	5649		
IP20 encl. display + Profibus	131H3811	5181	131H2382	5748		
IP20 encl. + Graphic Display	131F6663	5150	131F6666	5717		
IP20 encl. + Graphic Display + Profibus	131G0780	5249	131H2260	5816		
IP55 encl. + Graphic Display	131B9077	5720	131B9078	6287	131F1465	6665
IP55 encl. + Graphic Display + Profibus	131F6341	5819	131F6749	6386	131H8031	6764

Accessories

LC Filter Bookstyle IP20	130B2285	2097
LC Filter Compact IP20	130B2311	2798

For all other accessories and options see the general FC 200 accessories/options page

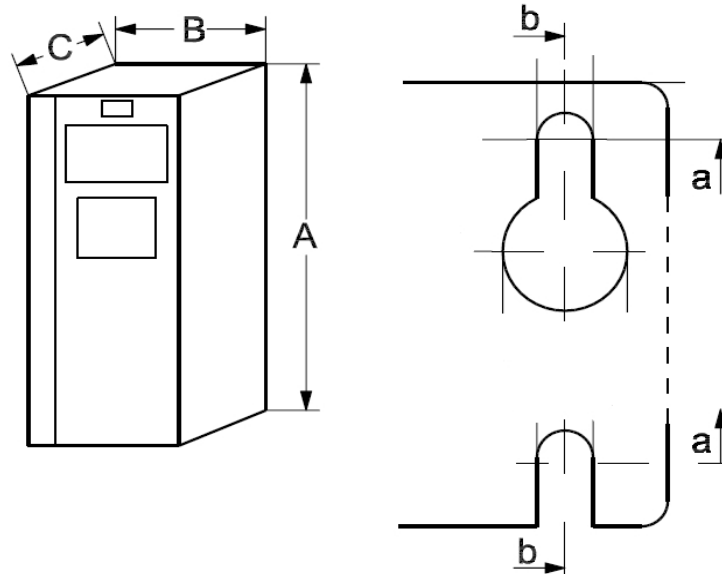
Dimensions		A	B	C	a	b	Weight
IP20 enclosure	(type C4)	660	370	333	631	330	50 kg
IP55 enclosure	(type C2)	770	370	335	739	334	65 kg

Minimal space under and above drive 225 mm

Dimensions excl. options

Max. powerloss (heat dissipation) at full power :

1474 Watt



Danfoss VLT Drives

Configure your drive with our Drive Configurator

0870 241 7100

www.driveconfigurator.com

VLT AQUA Drive

FC 202 90 kW 3x380-480V

FC202	PKxx	T4	Exx	H	x	x	x	x	x	x	x	SXXXX	Ax	Bx	Cx	Dx	Price GBP
Power (Basic Price)																	
90 kW - 177 A	P90K																5082
Enclosure IP 20			E20														0
IP21			E21														456
IP55			E55														571
IP66			E66														1028
IP21 with backplate			P21														470
IP55 with backplate			P55														587
RFI-filter A2				2													0
A1/B1 RFI-filter				1													567
A1/B1 RFI-filter (reduced motorcable ler				3													516
Brakeresistor - none					X												0
with					B												428
Safe Stop					T												228
Brakechopper + Safe Stop					W												656
Display - none						X											0
with numeric display						N											30
with graphic display						G											68
Coating - none							X										0
incl. coating							C										146
General Options - none								x									0
service switch								1									378
Loadsharing								D									191
Communication Options - None													AX				0
Profibus													A0				99
DeviceNet													A4				75
I/O Options - none														BX			0
Analog I/O														B0			80
General I/O														BK			64
Relay option														BP			70
Cascade Controller Ext.														BY			368
Cascade Controller Adv.														C5			467
D-options - none																DX	0
24Vdc back-up																D0	42

Because of rounding totalprices can differ from the prices on the other side of this page.

Prices valid until: 31/12/2008

VLT AQUA Drive

FC202-P110K 3x380-480V

110 kW / 212 A

S2A Standard Version with class 2A RFI-filter

ST Standard version

SW ST + Service Switch + Fuses

	Article nr.	Price GBP	Article nr.	Price GBP	Article nr.	Price GBP
	S2A		ST		SW	
IP00 encl. display	131F3037	5224	131F4284	5953		
IP00 encl. display + Profibus	131H3814	5323	131H3816	6052		
IP00 encl. + Graphic Display	131B8868	5292	131B9372	6021		
IP00 encl. + Graphic Display + Profibus	131H3815	5391	131F6750	6120		
IP54 encl. + Graphic Display	131B9375	6041	131B9374	6770	131F5644	7227
IP54 encl. + Graphic Display + Profibus	131H3817	6140	131F6621	6869	131H3818	7326

Accessories

LC Filter Bookstyle IP20	130B2286	2535
LC Filter Compact IP20	130B2312	3380

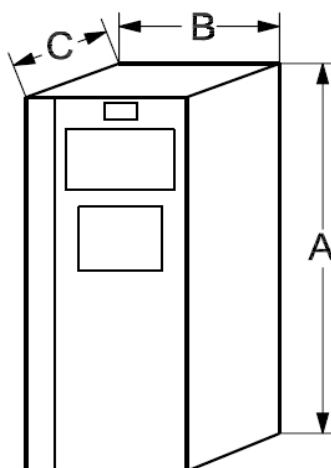
For all other accessories and options see the general FC 200 accessories/options page

Dimensions		A	B	C	Weight
IP00 enclosure	(type D3)	997	408	373	81,9 kg
IP54 enclosure	(type D1)	1159	420	373	95,5 kg

Dimensions excl. options

Max. powerloss (heat dissipation) at full power :

3234 Watt



Danfoss VLT Drives

Configure your drive with our Drive Configurator

0870 241 7100

www.driveconfigurator.com

VLT AQUA Drive

FC 202 110 kW 3x380-480V

FC202	PKxx	T4	Exx	H	x	x	x	x	x	x	x	x	SXXXX	Ax	Bx	Cx	Dx	Price GBP
Power (Basic Price)																		
110 kW - 212 A	P110K																	5224
Enclosure IP 00			E00															0
IP21			E21															461
IP54			E54															750
IP21 with extra shield			E2M															610
IP54 with extra shield			E5M															899
RFI-filter A2				2														0
A1 RFI filter				4														729
Brakeresistor - none					X													0
with					B													479
Safe Stop					T													254
Brakechopper + Safe Stop					W													734
Display - none					X													0
with numeric display					N													30
with graphic display					G													68
Coating - none					X													0
incl. coating					C													243
General Options - none								x										0
Service switch + Fuses								3										457
Service switch + Fuses + Loadsh.								5										671
Fuses								7										180
Fuses + Loadsharing								A										394
Loadsharing								D										214
Communication Options - None													AX					0
Profibus													A0					99
DeviceNet													A4					75
I/O Options - none														BX				0
Analog I/O														B0				80
General I/O														BK				64
Relay option														BP				70
Cascade Controller Ext.														BY				368
Cascade Controller Adv.														C5				467
D-options - none																	DX	0
24Vdc back-up																	D0	42

Because of rounding totalprices can differ from the prices on the other side of this page.

Prices valid until: 31/12/2008

VLT AQUA Drive

FC202-P132K 3x380-480V

132 kW / 260 A

S2A Standard Version with class 2A RFI-filter

ST Standard version

SW ST + Service Switch + Fuses

	Article nr.	Price GBP	Article nr.	Price GBP	Article nr.	Price GBP
	S2A		ST		SW	
IP00 incl. display	131F3076	6321	131F4285	7202		
IP00 incl. display + Profibus	131H3820	6420	131H3822	7301		
IP00 incl. + Graphic Display	131B9335	6389	131B9376	7270		
IP00 incl. + Graphic Display + Profibus	131H3821	6488	131F6751	7369		
IP54 incl. + Graphic Display	131B9379	7295	131B9378	8176	131F6250	8633
IP54 incl. + Graphic Display + Profibus	131F9964	7394	131F7075	8275	131F8146	8732

Accessories

LC Filter Bookstyle IP20	130B2286	2535
LC Filter Compact IP20	130B2312	3380

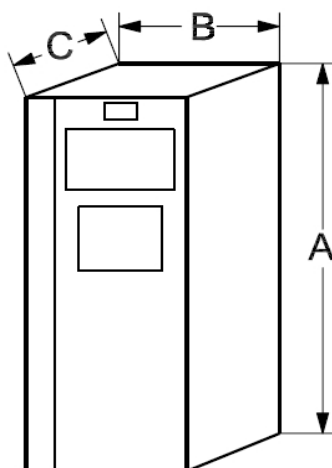
For all other accessories and options see the general FC 200 accessories/options page

Dimensions		A	B	C	Weight
IP00 enclosure	(type D3)	997	408	373	90,5 kg
IP54 enclosure	(type D1)	1159	420	373	104,1 kg

Dimensions excl. options

Max. powerloss (heat dissipation) at full power :

3782 Watt



Danfoss VLT Drives

Configure your drive with our Drive Configurator

0870 241 7100

www.driveconfigurator.com

VLT AQUA Drive

FC 202 132 kW 3x380-480V

FC202	PKxx	T4	Exx	H	x	x	x	x	x	x	x	x	SXXXX	Ax	Bx	Cx	Dx	Price GBP
Power (Basic Price)																		
132 kW - 260 A	P132K																	6321
Enclosure IP 00			E00															0
IP21			E21															558
IP54			E54															907
IP21 with extra shield			E2M															707
IP54 with extra shield			E5M															1056
RFI-filter A2				2														0
A1 RFI filter				4														881
Brakeresistor - none					X													0
with					B													579
Safe Stop					T													308
Brakechopper + Safe Stop					W													887
Display - none					X													0
with numeric display					N													30
with graphic display					G													68
Coating - none					X													0
incl. coating					C													243
General Options - none								x										0
Service switch + Fuses								3										457
Service switch + Fuses + Loadsh.								5										716
Fuses								7										180
Fuses + Loadsharing								A										438
Loadsharing								D										258
Communication Options - None														AX				0
Profibus														A0				99
DeviceNet														A4				75
I/O Options - none															BX			0
Analog I/O															B0			80
General I/O															BK			64
Relay option															BP			70
Cascade Controller Ext.															BY			368
Cascade Controller Adv.															C5			467
D-options - none																	DX	0
24Vdc back-up																	D0	42

Because of rounding totalprices can differ from the prices on the other side of this page.

Prices valid until: 31/12/2008

VLT AQUA Drive

FC202-P160K 3x380-480V

160 kW / 315 A

S2A Standard Version with class 2A RFI-filter

ST Standard version

SW ST + Service Switch + Fuses

	Article nr.	Price GBP	Article nr.	Price GBP	Article nr.	Price GBP
	S2A		ST		SW	
IP00 incl. display	131F3077	7732	131F4286	8811		
IP00 incl. display + Profibus	131H3834	7831	131H3840	8910		
IP00 incl. + Graphic Display	131B9381	7800	131B9380	8879		
IP00 incl. + Graphic Display + Profibus	131H3836	7899	131F7077	8978		
IP54 incl. + Graphic Display	131B9385	8910	131B9384	9989	131F8049	10930
IP54 incl. + Graphic Display + Profibus	131H3534	9009	131F7079	10088	131H3847	11029

Accessories

LC Filter Bookstyle IP20	130B2287	3777
LC Filter Compact IP20	130B2313	4533

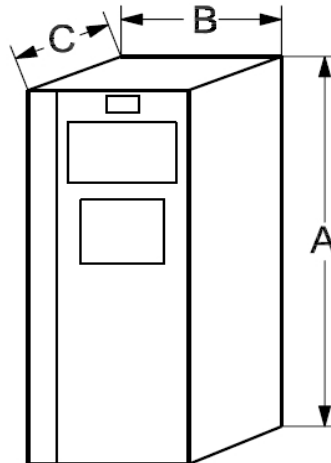
For all other accessories and options see the general FC 200 accessories/options page

Dimensions		A	B	C	Weight
IP00 enclosure	(type D4)	1277	408	373	111,8 kg
IP54 enclosure	(type D2)	1540	420	373	125,4 kg

Dimensions excl. options

Max. powerloss (heat dissipation) at full power :

4213 Watt



Danfoss VLT Drives

Configure your drive with our Drive Configurator

0870 241 7100

www.driveconfigurator.com

VLT AQUA Drive

FC 202 160 kW 3x380-480V

FC202	PKxx	T4	Exx	H	x	x	x	x	x	x	x	x	SXXXX	Ax	Bx	Cx	Dx	Price GBP
Power (Basic Price)																		
160 kW - 315 A	P160K																	7732
Enclosure IP 00			E00															0
IP21			E21															683
IP54			E54															1110
IP21 with extra shield			E2M															832
IP54 with extra shield			E5M															1259
RFI-filter A2				2														0
A1 RFI filter				4														1079
Brakeresistor - none					X													0
with					B													709
Safe Stop					T													377
Brakechopper + Safe Stop					W													1085
Display - none					X													0
with numeric display					N													30
with graphic display					G													68
Coating - none					X													0
incl. coating					C													243
General Options - none								x										0
Service switch + Fuses								3										941
Service switch + Fuses + Loadsh.								5										1257
Fuses								7										286
Fuses + Loadsharing								A										602
Loadsharing								D										316
Communication Options - None													AX					0
Profibus													A0					99
DeviceNet													A4					75
I/O Options - none														BX				0
Analog I/O														B0				80
General I/O														BK				64
Relay option														BP				70
Cascade Controller Ext.														BY				368
Cascade Controller Adv.														C5				467
D-options - none																	DX	0
24Vdc back-up																	D0	42

Because of rounding totalprices can differ from the prices on the other side of this page.

Prices valid until: 31/12/2008

VLT AQUA Drive

FC202-P200K 3x380-480V

200 kW / 395 A

S2A Standard Version with class 2A RFI-filter

ST Standard version

SW ST + Service Switch + Fuses

	Article nr.	Price GBP	Article nr.	Price GBP	Article nr.	Price GBP
	S2A		ST		SW	
IP00 encl. display	131F3078	9245	131F4287	10534		
IP00 encl. display + Profibus	131H3856	9344	131H3858	10633		
IP00 encl. + Graphic Display	131B9388	9313	131B9386	10602		
IP00 encl. + Graphic Display + Profibus	131H3857	9412	131F7082	10701		
IP54 encl. + Graphic Display	131B9392	10639	131B9391	11928	131F6475	12869
IP54 encl. + Graphic Display + Profibus	131F4460	10738	131F4459	12027	131H3859	12968

Accessories

LC Filter Bookstyle IP20	130B2287	3777
LC Filter Compact IP20	130B2313	4533

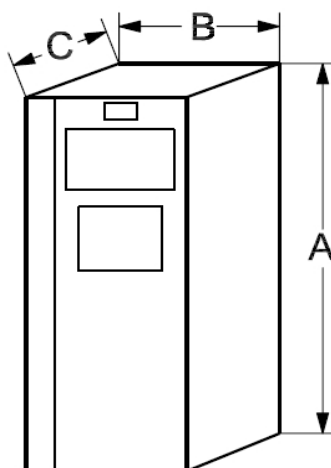
For all other accessories and options see the general FC 200 accessories/options page

Dimensions		A	B	C	Weight
IP00 enclosure	(type D4)	1277	408	373	122,9 kg
IP54 enclosure	(type D2)	1540	420	373	136,3 kg

Dimensions excl. options

Max. powerloss (heat dissipation) at full power :

5119 Watt



Danfoss VLT Drives

Configure your drive with our Drive Configurator

0870 241 7100

www.driveconfigurator.com

VLT AQUA Drive

FC 202 200 kW 3x380-480V

FC202	PKxx	T4	Exx	H	x	x	x	x	x	x	x	x	SXXXX	Ax	Bx	Cx	Dx	Price GBP
Power (Basic Price)																		
200 kW - 395 A	P200K																	9245
Enclosure IP 00			E00															0
IP21			E21															817
IP54			E54															1327
IP21 with extra shield			E2M															966
IP54 with extra shield			E5M															1476
RFI-filter A2				2														0
A1 RFI filter				4														1289
Brakeresistor - none					X													0
with					B													847
Safe Stop					T													451
Brakechopper + Safe Stop					W													1298
Display - none					X													0
with numeric display					N													30
with graphic display					G													68
Coating - none						X												0
incl. coating						C												243
General Options - none							x											0
Service switch + Fuses							3											941
Service switch + Fuses + Loadsh.							5											1319
Fuses							7											286
Fuses + Loadsharing							A											664
Loadsharing							D											378
Communication Options - None													AX					0
Profibus													A0					99
DeviceNet													A4					75
I/O Options - none														BX				0
Analog I/O														B0				80
General I/O														BK				64
Relay option														BP				70
Cascade Controller Ext.														BY				368
Cascade Controller Adv.														C5				467
D-options - none																	DX	0
24Vdc back-up																	D0	42

Because of rounding totalprices can differ from the prices on the other side of this page.

Prices valid until: 31/12/2008

VLT AQUA Drive

FC202-P250K 3x380-480V

250 kW / 480 A

S2A Standard Version with class 2A RFI-filter

ST Standard version

SW ST + Service Switch + Fuses

	Article nr.	Price GBP	Article nr.	Price GBP	Article nr.	Price GBP
	S2A		ST		SW	
IP00 encl. display	131F3079	11869	131F4288	13408		
IP00 encl. display + Profibus	131H3863	11968	131H3865	13507		
IP00 encl. + Graphic Display	131B9394	11937	131B9393	13476		
IP00 encl. + Graphic Display + Profibus	131H3864	12036	131F7086	13575		
IP54 encl. + Graphic Display	131B9398	13521	131B9397	15060	131F8100	16001
IP54 encl. + Graphic Display + Profibus	131F4461	13620	131F4462	15159	131H3614	16100

Accessories

LC Filter Bookstyle IP20	130B2288	4543
LC Filter Compact IP20	130B2314	5451

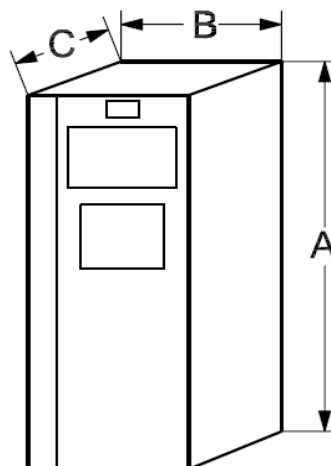
For all other accessories and options see the general FC 200 accessories/options page

Dimensions		A	B	C	Weight
IP00 enclosure	(type D4)	1277	408	373	137,7 kg
IP54 enclosure	(type D2)	1540	420	373	151,3 kg

Dimensions excl. options

Max. powerloss (heat dissipation) at full power :

5893 Watt



Danfoss VLT Drives

Configure your drive with our Drive Configurator

0870 241 7100

www.driveconfigurator.com

VLT AQUA Drive

FC 202 250 kW 3x380-480V

FC202	PKxx	T4	Exx	H	x	x	x	x	x	x	x	x	SXXXX	Ax	Bx	Cx	Dx	Price GBP
Power (Basic Price)	↑		↑		↑	↑	↑	↑	↑	↑	↑	↑		↑	↑	↑	↑	
250 kW - 480 A	P250K																	11869
Enclosure IP 00			E00															0
IP21			E21															975
IP54			E54															1584
IP21 with extra shield			E2M															1124
IP54 with extra shield			E5M															1734
RFI-filter A2				2														0
A1 RFI filter				4														1539
Brakeresistor - none					X													0
with					B													1012
Safe Stop					T													579
Brakechopper + Safe Stop					W													1590
Display - none					X													0
with numeric display					N													30
with graphic display					G													68
Coating - none						X												0
incl. coating						C												243
General Options - none							x											0
Service switch + Fuses							3											941
Service switch + Fuses + Loadsh.							5											1393
Fuses							7											286
Fuses + Loadsharing							A											738
Loadsharing							D											451
Communication Options - None													AX					0
Profibus													A0					99
DeviceNet													A4					75
I/O Options - none														BX				0
Analog I/O														B0				80
General I/O														BK				64
Relay option														BP				70
Cascade Controller Ext.														BY				368
Cascade Controller Adv.														C5				467
D-options - none																	DX	0
24Vdc back-up																	D0	42

Because of rounding totalprices can differ from the prices on the other side of this page.

Prices valid until: 31/12/2008

VLT AQUA Drive

FC202-P315K 3x380-480V

315 kW / 600 A

S2A Standard Version with class 2A RFI-filter

ST Standard version

SW ST + Service Switch + Fuses

	Article nr.	Price GBP	Article nr.	Price GBP	Article nr.	Price GBP
	S2A		ST		SW	
IP00 encl. + Graphic Display	131B9400	14364	131B9399	16226		
IP00 encl. + Graphic Display + Profibus	131F9632	14463	131F7437	16325		
IP54 encl. + Graphic Display	131B9494	16272	131B9403	18134	131F7092	20512
IP54 encl. + Graphic Display + Profibus	131H3866	16371	131F7445	18233	131F7447	20611

Accessories

LC Filter Bookstyle IP20 130B2289 5859

LC Filter Compact IP20 130B2315 7031

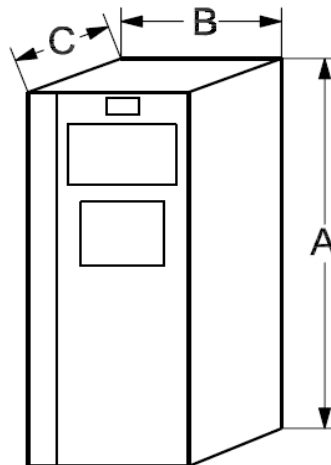
For all other accessories and options see the general FC 200 accessories/options page

Dimensions		A	B	C	Weight
IP00 enclosure	(type E2)	1499	585	494	221,4 kg
IP54 enclosure	(type E1)	2000	600	494	263,2 kg

Dimensions excl. options

Max. powerloss (heat dissipation) at full power :

7630 Watt



Danfoss VLT Drives

Configure your drive with our Drive Configurator

0870 241 7100

www.driveconfigurator.com

VLT AQUA Drive

FC 202 315 kW 3x380-480V

FC202	PKxx	T4	Exx	H	x	x	x	x	x	x	x	x	SXXXX	Ax	Bx	Cx	Dx	Price GBP
Power (Basic Price)																		
315 kW - 600 A	P315K																	14296
Enclosure IP 00			E00															0
IP21			E21															1175
IP54			E54															1909
IP21 with extra shield			E2M															1573
IP54 with extra shield			E5M															2306
RFI-filter A2				2														0
A1 RFI filter				4														1862
Brakeresistor - none					X													0
with					B													1219
Safe Stop					T													698
Brakechopper + Safe Stop					W													1917
Display - none					X													0
with numeric display					N													30
with graphic display					G													68
Coating						C												0
General Options - none							X											0
Service switch + Fuses							3											2378
Service switch + Fuses + Loadsh.							5											2921
Fuses							7											463
Fuses + Loadsharing							A											1007
Loadsharing							D											544
Communication Options - None													AX					0
Profibus													A0					99
DeviceNet													A4					75
I/O Options - none														BX				0
Analog I/O														B0				80
General I/O														BK				64
Relay option														BP				70
Cascade Controller Ext.														BY				368
Cascade Controller Adv.														C5				467
D-options - none																DX		0
24Vdc back-up																D0		42

Because of rounding totalprices can differ from the prices on the other side of this page.

Prices valid until: 31/12/2008

VLT AQUA Drive

FC202-P355K 3x380-480V

355 kW / 658 A

S2A Standard Version with class 2A RFI-filter

ST Standard version

SW ST + Service Switch + Fuses

	Article nr.	Price GBP	Article nr.	Price GBP	Article nr.	Price GBP
	S2A		ST		SW	
IP00 encl. + Graphic Display	131B9496	16947	131B9495	19144		
IP00 encl. + Graphic Display + Profibus	131F9633	17046	131F7425	19243		
IP54 encl. + Graphic Display	131B9500	19201	131B9499	21398	131F7094	23776
IP54 encl. + Graphic Display + Profibus	131H3869	19300	131F7433	21497	131F7435	23875

Accessories

LC Filter Bookstyle IP20 130B2289 5859

LC Filter Compact IP20 130B2315 7031

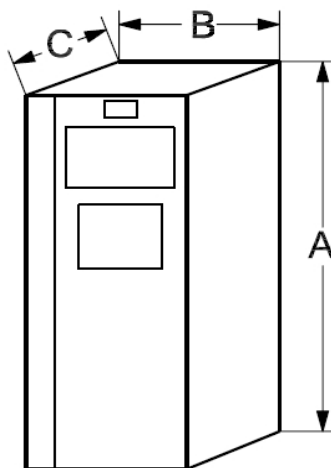
For all other accessories and options see the general FC 200 accessories/options page

Dimensions		A	B	C	Weight
IP00 enclosure	(type E2)	1499	585	494	234,1 kg
IP54 enclosure	(type E1)	2000	600	494	270 kg

Dimensions excl. options

Max. powerloss (heat dissipation) at full power :

7701 Watt



Danfoss VLT Drives

Configure your drive with our Drive Configurator

0870 241 7100

www.driveconfigurator.com

VLT AQUA Drive

FC 202 355 kW 3x380-480V

FC202	PKxx	T4	Exx	H	x	x	x	x	x	x	x	x	SXXXX	Ax	Bx	Cx	Dx	Price GBP
Power (Basic Price)																		
355 kW - 658 A	P355K																	16880
Enclosure IP 00			E00															0
IP21			E21															1387
IP54			E54															2253
IP21 with extra shield			E2M															1784
IP54 with extra shield			E5M															2651
RFI-filter A2				2														0
A1 RFI filter				4														2197
Brakeresistor - none					X													0
with					B													1439
Safe Stop					T													823
Brakechopper + Safe Stop					W													2262
Display - none					X													0
with numeric display					N													30
with graphic display					G													68
Coating						C												0
General Options - none							X											0
Service switch + Fuses							3											2378
Service switch + Fuses + Loadsh.							5											3019
Fuses							7											463
Fuses + Loadsharing							A											1104
Loadsharing							D											641
Communication Options - None													AX					0
Profibus													A0					99
DeviceNet													A4					75
I/O Options - none														BX				0
Analog I/O														B0				80
General I/O														BK				64
Relay option														BP				70
Cascade Controller Ext.														BY				368
Cascade Controller Adv.														C5				467
D-options - none																DX		0
24Vdc back-up																D0		42

Because of rounding totalprices can differ from the prices on the other side of this page.

Prices valid until: 31/12/2008

VLT AQUA Drive

FC202-P400K 3x380-480V

400 kW / 745 A

S2A Standard Version with class 2A RFI-filter

ST Standard version

SW ST + Service Switch + Fuses

	Article nr.	Price GBP	Article nr.	Price GBP	Article nr.	Price GBP
	S2A		ST		SW	
IP00 encl. + Graphic Display	131B9504	19166	131B9502	21660		
IP00 encl. + Graphic Display + Profibus	131H3870	19265	131F7413	21759		
IP54 encl. + Graphic Display	131B9509	21716	131B9508	24210	131F7097	26588
IP54 encl. + Graphic Display + Profibus	131F5309	21815	131F7421	24309	131F7423	26687

Accessories

LC Filter Bookstyle IP20 130B2290 7058

LC Filter Compact IP20 130B2316 8469

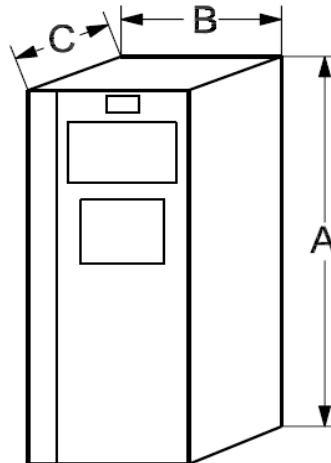
For all other accessories and options see the general FC 200 accessories/options page

Dimensions		A	B	C	Weight
IP00 enclosure	(type E2)	1499	585	494	236,4 kg
IP54 enclosure	(type E1)	2000	600	494	272,3 kg

Dimensions excl. options

Max. powerloss (heat dissipation) at full power :

8879 Watt



Danfoss VLT Drives

Configure your drive with our Drive Configurator

0870 241 7100

www.driveconfigurator.com

VLT AQUA Drive

FC 202 400 kW 3x380-480V

FC202	PKxx	T4	Exx	H	x	x	x	x	x	x	x	x	SXXXX	Ax	Bx	Cx	Dx	Price GBP
Power (Basic Price)																		
400 kW - 745 A	P400K																	19098
Enclosure IP 00			E00															0
IP21			E21															1570
IP54			E54															2550
IP21 with extra shield			E2M															1967
IP54 with extra shield			E5M															2947
RFI-filter A2				2														0
A1 RFI filter				4														2494
Brakeresistor - none					X													0
with					B													1628
Safe Stop					T													931
Brakechopper + Safe Stop					W													2560
Display - none					X													0
with numeric display					N													30
with graphic display					G													68
Coating						C												0
General Options - none							X											0
Service switch + Fuses							3											2378
Service switch + Fuses + Loadsh.							5											3103
Fuses							7											463
Fuses + Loadsharing							A											1189
Loadsharing							D											726
Communication Options - None													AX					0
Profibus													A0					99
DeviceNet													A4					75
I/O Options - none														BX				0
Analog I/O														B0				80
General I/O														BK				64
Relay option														BP				70
Cascade Controller Ext.														BY				368
Cascade Controller Adv.														C5				467
D-options - none																DX		0
24Vdc back-up																D0		42

Because of rounding totalprices can differ from the prices on the other side of this page.

Prices valid until: 31/12/2008

VLT AQUA Drive

FC202-P450K 3x380-480V

450 kW / 800 A

S2A Standard Version with class 2A RFI-filter

ST Standard version

SW ST + Service Switch + Fuses

	Article nr.	Price GBP	Article nr.	Price GBP	Article nr.	Price GBP
	S2A		ST		SW	
IP00 encl. + Graphic Display	131B9511	22780	131B9510	25643		
IP00 encl. + Graphic Display + Profibus	131H3873	22879	131F7384	25742		
IP54 encl. + Graphic Display	131B9515	25813	131B9514	28676	131F7100	31054
IP54 encl. + Graphic Display + Profibus	131H3874	25912	131F7392	28775	131F7394	31153

Accessories

LC Filter Bookstyle IP20	130B2291	9881
LC Filter Compact IP20	130B2317	11857

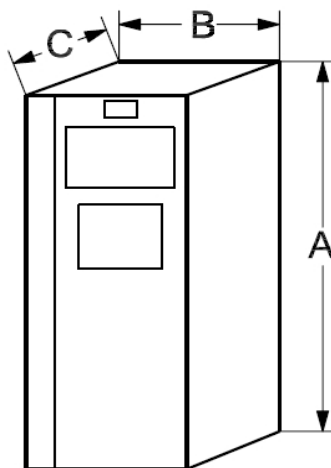
For all other accessories and options see the general FC 200 accessories/options page

Dimensions		A	B	C	Weight
IP00 enclosure	(type E2)	1499	585	494	277,3 kg
IP54 enclosure	(type E1)	2000	600	494	313,2 kg

Dimensions excl. options

Max. powerloss (heat dissipation) at full power :

9428 Watt



Danfoss VLT Drives

Configure your drive with our Drive Configurator

0870 241 7100

www.driveconfigurator.com

VLT AQUA Drive

FC 202 450 kW 3x380-480V

FC202	PKxx	T4	Exx	H	x	x	x	x	x	x	x	SXXXX	Ax	Bx	Cx	Dx	Price GBP
Power (Basic Price)																	
450 kW - 800 A	P450K																22713
Enclosure IP 00			E00														0
IP21			E21														1867
IP54			E54														3033
IP21 with extra shield			E2M														2264
IP54 with extra shield			E5M														3430
RFI-filter A2				2													0
A1 RFI filter				4													2863
Brakeresistor - none					X												0
with					B												1936
Safe Stop					T												1108
Brakechopper + Safe Stop					W												3045
Display - none					X												0
with numeric display					N												30
with graphic display					G												68
Coating						C											0
General Options - none							X										0
Service switch + Fuses							3										2378
Service switch + Fuses + Loadsh.							5										3241
Fuses							7										463
Fuses + Loadsharing							A										1326
Loadsharing							D										863
Communication Options - None													AX				0
Profibus													A0				99
DeviceNet													A4				75
I/O Options - none														BX			0
Analog I/O														B0			80
General I/O														BK			64
Relay option														BP			70
Cascade Controller Ext.														BY			368
Cascade Controller Adv.														C5			467
D-options - none																DX	0
24Vdc back-up																D0	42

Because of rounding totalprices can differ from the prices on the other side of this page.

Prices valid until: 31/12/2008

VLT AQUA Drive

General Options for the VLT AQUA Drive

Description	Model	Code	Article nr.	Price GBP
Fieldbus options				
Profibus	MCA101	A0	130B1100	99
Profibus - coated	MCA101		130B1200	112
DeviceNet	MCA104	A4	130B1102	75
DeviceNet - coated	MCA104		130B1202	87
LON Works	MCA108		130B1106	99
LON Works - coated	MCA108		130B1206	112
Ethernet IP	MCA 112	AN	130B1119	204
Input/Output options				
General I/O	MCB101	BK	130B1125	64
General I/O - coated	MCB101		130B1212	76
Relay option	MCB105	BP	130B1110	70
Relay option - coated	MCB105		130B1210	82
24V option	MCB107	D0	130B1108	42
24V option - coated	MCB107		130B1208	54
Analog I/O	MCB109	B0	130B1143	80
Analog I/O - coated	MCB109		130B1243	92
Cascade Control				
Cascade Controller Ext.	MCO101	BY	130B1118	368
Cascade Controller Ext. -coated	MCO101		130B1228	381
Cascade Controller Adv.	MCO102	5	130B1154	467
Cascade Controller Adv. - coated	MCO102		130B1254	480

Danfoss VLT Drives

0870 241 7100

Configure your drive with our Drive Configurator

www.driveconfigurator.com

VLT AQUA Drive

General Options for the VLT AQUA Drive

Description	Article nr.	Price GBP
Display options		
Numeric display LCP101	130B1124	30
Graphic display LCP102	130B1107	68
LCP-kit for remote mounting of display (incl. 3 mtr cable, excl. display)	130B1117	34
LCP-kit for remote mounting of display (incl. graphic display LCP102 + 3 mtr cable)	130B1114	101
LCP-kit for remote mounting of display (incl. numeric display LCP101 + 3 mtr cable)	130B1113	64
LCP-cable (length 3 meters incl. connectors)	175Z0929	14
Backplates		
Backplate A5 IP55/Nema 12	130B1098	10
Backplate B1 IP21/IP55	130B3383	10
Backplate B2 IP21/IP55	130B3397	13
Backplate C1 IP21/IP55	130B3910	13
Backplate C2 IP21/IP55	130B3911	17
Backplates Stainless Steel		
Backplate A5 IP66/Nema 4x	130B3242	33
Backplate B1 IP66/Nema 4x	130B3434	35
Backplate B2 IP66/Nema 4x	130B3465	37
Backplate C1 IP66/Nema 4x	130B3468	54
Backplate C2 IP66/Nema 4x	130B3491	76
Accessories		
IP21/Nema 1 enclosure frame size A1	130B1121	20
IP21/Nema 1 enclosure frame size A2	130B1122	20
IP21/Nema 1 enclosure frame size A3	130B1123	20
Airducts		
D1 / IP00 - Rittal TS8 1800 mm	176F1824	358
D1 / IP00 - Rittal TS8 2000 mm	176F1826	388
D2 / IP00 - Rittal TS8 1800 mm	176F1823	358
D2 / IP00 - Rittal TS8 2000 mm	176F1825	388
E2 / IP00 - Rittal TS8 2000 mm	176F1850	726

Danfoss VLT Drives

0870 241 7100

Configure your drive with our Drive Configurator

www.driveconfigurator.com