

# VLT® 2800

## VLT® 2800

The VLT 2800 is designed for general drive applications. The VLT 2800 is used for driving pumps, fans and compressors but also for packing and punching machines, conveyors and other applications. The VLT 2800 is a compact drive that can be mounted side-by-side, saving a lot of cabinet space.



Application	General industrial and HVAC applications
Powerrange	0,37 - 18,5 kW
Torque characteristics	CT 160%
Supply voltage	1/3 phase 220-240V (0,37 - 1,5 kW) 3 phase 220-240V (2,2 - 3,7 kW) 3 phase 380-480V (0,55 - 18,5 kW)
Enclosure	IP20
Control principle	VVC
Length motorcable	40 mtr (screened) - 2803-2840 (200V) 25 mtr (screened) - 2805-2875 (400V) 50 mtr (screened) - 2880-2882 (400V)
Inputs	Analog 2 / Digital 5
Outputs	Analog 1 / Digital 1 / Relay 1
Special functions	Automatic Motor Tuning (AMT) Loadsharing PID controller DC brake flying start Precise Stop
Motor protection	Electronic thermic motorprotection, motor-thermistor
Drive protection	Temperature heatsink, short-circuit on motor terminals, phase loss, earth faults and overload
Control	LED display and control panel
Communication	RS485 interface, Modbus RTU, MetaSys N2, Danfoss FC protocol
Env. temperature	max. 50 degr. C
Approval	CE, IEC 61000 -3 -2, UL, C-tick, CSA

Danfoss VLT Drives

0870 241 7100

Configure your drive with our Drive Configurator

[www.driveconfigurator.com](http://www.driveconfigurator.com)

# VLT® 2800

## VLT 2803 1/3x 200-240V

CT 160%; 0,37 kW / 2,2 A

ST Standard version

SB ST + brakechopper

VLT 2803 1/3x 200-240V - excl. RFI-filter (R0)	Article nr.	Price GBP	Article nr.	Price GBP
	ST		SB	
Enclosure IP 20	195N0001	189	195N0002	215
Enclosure IP20 + Profibus DP 3 Mb	195N0005	288	195N0006	314

VLT 2803 1x 200-240V - incl. RFI-filter class 1A (R1)	Article nr.	Price GBP	Article nr.	Price GBP
Enclosure IP 20	195N0003	226	195N0004	251
Enclosure IP20 + Profibus DP 3 Mb	195N0007	325	195N0008	351

VLT 2803 1x 200-240V - incl. RFI-filter low earthleak (R4)	Article nr.	Price GBP	Article nr.	Price GBP
Enclosure IP 20	195N0203	226	195N0204	251
Enclosure IP20 + Profibus DP 3 Mb	178B2299	325	178B3633	351

### Accessories

Motor coil	195N3110	76	
RFI-filter 1B (only icw 1A-filter)	195N3103	69	
RFI-filter 1B / LC-filter (only icw 1A-filter)	195N3100	199	
Terminal cover NEMA 1	195N1900	13	
Brake resistor, coiled wire, incl. Klixon	40% / 330 ohm	175U1900	66
Flatpack Brakeresistor	30% / 330 ohm	175U1003	26

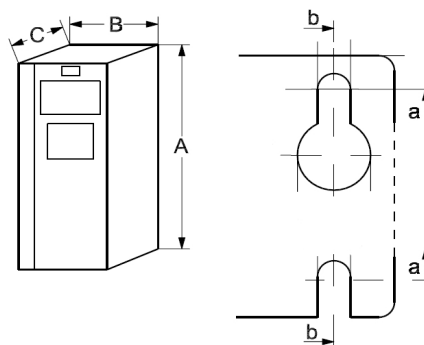
For all other accessories and options see the general VLT 2800 accessories/options page

Dimensions	A	B	C	a	b	Weight
IP20 enclosure	200	75	168	191	60	2 kg

Minimal space under and above drive: 100 mm

Max. powerloss (heat dissipation) at full power :

24 Watt



Danfoss VLT Drives

Configure your drive with our Drive Configurator

0870 241 7100

[www.driveconfigurator.com](http://www.driveconfigurator.com)

# VLT® 2800

## VLT 2805 1/3x 200-240V

CT 160%; 0,55 kW / 3,2 A

ST Standard version

SB ST + brakechopper

VLT 2805 1/3x 200-240V - excl. RFI-filter (R0)	Article nr.	Price GBP	Article nr.	Price GBP
	ST		SB	
Enclosure IP 20	195N0013	198	195N0014	226
Enclosure IP20 + Profibus DP 3 Mb	195N0017	297	195N0018	325

VLT 2805 1x 200-240V - incl. RFI-filter class 1A (R1)	Article nr.	Price GBP	Article nr.	Price GBP
Enclosure IP 20	195N0015	237	195N0016	264
Enclosure IP20 + Profibus DP 3 Mb	195N0019	336	195N0020	364

VLT 2805 1x 200-240V - incl. RFI-filter low earthleak (R4)	Article nr.	Price GBP	Article nr.	Price GBP
Enclosure IP 20	195N0215	237	195N0216	264
Enclosure IP20 + Profibus DP 3 Mb	178B1390	336	178B3634	364

### Accessories

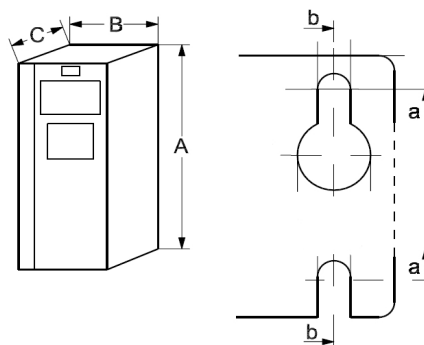
Motor coil	195N3110	76	
RFI-filter 1B (only icw 1A-filter)	195N3103	69	
RFI-filter 1B / LC-filter (only icw 1A-filter)	195N3100	199	
Terminal cover NEMA 1	195N1900	13	
Brake resistor, coiled wire, incl. Klixon	40% / 220 ohm	175U1901	69
Flatpack Brakeresistor	20% / 220 ohm	175U1004	26

For all other accessories and options see the general VLT 2800 accessories/options page

Dimensions	A	B	C	a	b	Weight
IP20 enclosure	200	75	168	191	60	2 kg

Minimal space under and above drive: 100 mm

Max. powerloss (heat dissipation) at full power : 35 Watt



Danfoss VLT Drives

Configure your drive with our Drive Configurator

0870 241 7100

[www.driveconfigurator.com](http://www.driveconfigurator.com)

# VLT® 2800

## VLT 2807 1/3x 200-240V

CT 160%; 0,75 kW / 4,2 A

ST Standard version

SB ST + brakechopper

VLT 2807 1/3x 200-240V - excl. RFI-filter (R0)	Article nr.	Price GBP	Article nr.	Price GBP
	ST		SB	
Enclosure IP 20	195N0025	211	195N0026	240
Enclosure IP20 + Profibus DP 3 Mb	195N0029	310	195N0018	339

VLT 2807 1x 200-240V - incl. RFI-filter class 1A (R1)	Article nr.	Price GBP	Article nr.	Price GBP
Enclosure IP 20	195N0027	252	195N0016	281
Enclosure IP20 + Profibus DP 3 Mb	195N0031	352	195N0020	381

VLT 2807 1x 200-240V - incl. RFI-filter low earthleak (R4)	Article nr.	Price GBP	Article nr.	Price GBP
Enclosure IP 20	195N0227	252	195N0216	281
Enclosure IP20 + Profibus DP 3 Mb	178B3635	352	178B3634	381

### Accessories

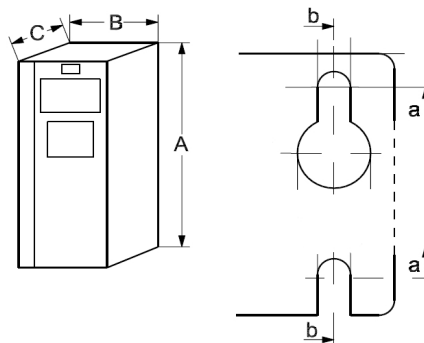
Motor coil	195N3110	76	
RFI-filter 1B (only icw 1A-filter)	195N3103	69	
RFI-filter 1B / LC-filter (only icw 1A-filter)	195N3101	244	
Terminal cover NEMA 1	195N1900	13	
Brake resistor, coiled wire, incl. Klixon	40% / 150 ohm	175U1902	76
Flatpack Brakeresistor	14% / 150 ohm	175U1005	26

For all other accessories and options see the general VLT 2800 accessories/options page

Dimensions	A	B	C	a	b	Weight
IP20 enclosure	200	75	168	191	60	2 kg

Minimal space under and above drive: 100 mm

Max. powerloss (heat dissipation) at full power : 48 Watt



Danfoss VLT Drives

0870 241 7100

Configure your drive with our Drive Configurator

[www.driveconfigurator.com](http://www.driveconfigurator.com)

# VLT® 2800

## VLT 2811 1/3x 200-240V

CT 160%; 1,1 kW / 6 A

ST Standard version

SB ST + brakechopper

VLT 2811 1/3x 200-240V - excl. RFI-filter (R0)	Article nr.	Price GBP	Article nr.	Price GBP
	ST		SB	
Enclosure IP 20	195N0037	223	195N0038	252
Enclosure IP20 + Profibus DP 3 Mb	195N0041	322	195N0042	352

VLT 2811 1x 200-240V - incl. RFI-filter class 1A (R1)	Article nr.	Price GBP	Article nr.	Price GBP
Enclosure IP 20	195N0039	266	195N0040	296
Enclosure IP20 + Profibus DP 3 Mb	195N0043	366	195N0044	396

VLT 2811 1x 200-240V - incl. RFI-filter low earthleak (R4)	Article nr.	Price GBP	Article nr.	Price GBP
Enclosure IP 20	195N0239	266	195N0240	296
Enclosure IP20 + Profibus DP 3 Mb	178B3638	366	178B3637	396

### Accessories

Motor coil	195N3110	76		
RFI-filter 1B (only icw 1A-filter)	195N3103	69		
RFI-filter 1B / LC-filter (only icw 1A-filter)	195N3101	244		
Terminal cover NEMA 1	195N1900	13		
Brake resistor, coiled wire, incl. Klixon	40% / 110 ohm	175U1975	82	
Flatpack Brakeresistor	8% / 100 ohm	175U1006	26	

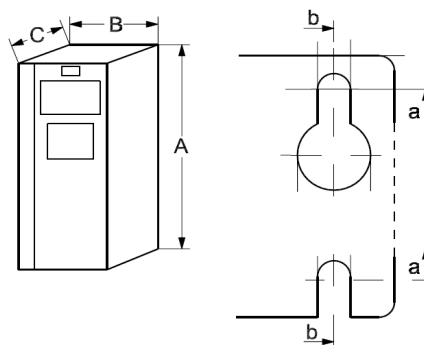
For all other accessories and options see the general VLT 2800 accessories/options page

Dimensions	A	B	C	a	b	Weight
IP20 enclosure	200	75	168	191	60	2 kg

Minimal space under and above drive: 100 mm

Max. powerloss (heat dissipation) at full power :

69 Watt



Danfoss VLT Drives

Configure your drive with our Drive Configurator

0870 241 7100

[www.driveconfigurator.com](http://www.driveconfigurator.com)

# VLT® 2800

## VLT 2815 1/3x 200-240V

CT 160%; 1,5 kW / 6,8 A

ST Standard version

SB ST + brakechopper

VLT 2815 1/3x 200-240V - excl. RFI-filter (R0)	Article nr.	Price GBP	Article nr.	Price GBP
	ST		SB	
Enclosure IP 20	195N0049	258	195N0050	293
Enclosure IP20 + Profibus DP 3 Mb	195N0053	358	195N0054	393

VLT 2815 1x 200-240V - incl. RFI-filter class 1A (R1)	Article nr.	Price GBP	Article nr.	Price GBP
Enclosure IP 20	195N0051	308	195N0052	343
Enclosure IP20 + Profibus DP 3 Mb	195N0055	408	195N0056	442

VLT 2815 1x 200-240V - incl. RFI-filter low earthleak (R4)	Article nr.	Price GBP	Article nr.	Price GBP
Enclosure IP 20	195N0251	308	195N0252	343
Enclosure IP20 + Profibus DP 3 Mb	178B1596	408	178B3639	442

### Accessories

Motor coil	195N3110	76	
RFI-filter 1B (only icw 1A-filter)	195N3103	69	
RFI-filter 1B / LC-filter (only icw 1A-filter)	195N3101	244	
Terminal cover NEMA 1	195N1900	13	
Brake resistor, coiled wire, incl. Klixon	40% / 82 ohm	175U1903	88
Flatpack Brakeresistor	16% / 72 ohm	175U0992	34

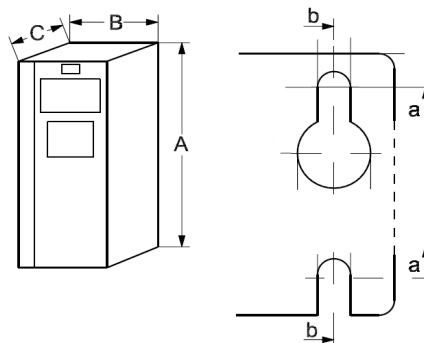
For all other accessories and options see the general VLT 2800 accessories/options page

Dimensions	A	B	C	a	b	Weight
IP20 enclosure	200	75	168	191	60	2 kg

Minimal space under and above drive: 100 mm

Max. powerloss (heat dissipation) at full power :

94 Watt



Danfoss VLT Drives

Configure your drive with our Drive Configurator

0870 241 7100

[www.driveconfigurator.com](http://www.driveconfigurator.com)

# VLT® 2800

## VLT 2805 3x 380-480V

CT 160%; 0,55 kW / 1,7 A

ST Standard version

SB ST + brakechopper

VLT 2805 3x 380-480V -	excl. RFI-filter (R0)	Article nr.	Price GBP	Article nr.	Price GBP
		ST		SB	
Enclosure IP 20		195N1001	213	195N1002	242
Enclosure IP20 + Profibus DP 3 Mb		195N1005	312	195N1006	341

VLT 2805 3x 380-480V -	incl. RFI-filter class 1A (R1)	Article nr.	Price GBP	Article nr.	Price GBP
Enclosure IP 20		195N1003	248	195N1004	276
Enclosure IP20 + Profibus DP 3 Mb		195N1007	347	195N1008	376

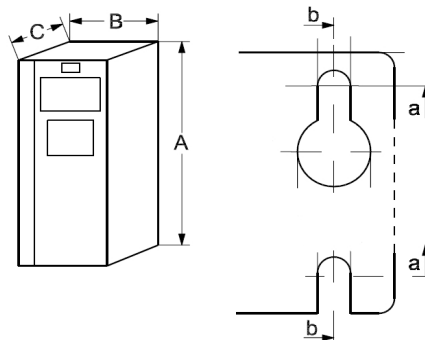
VLT 2805 3x 380-480V -	incl. RFI-filter low earthleak (R4)	Article nr.	Price GBP	Article nr.	Price GBP
Enclosure IP 20		178B2162	248	178B2371	276
Enclosure IP20 + Profibus DP 3 Mb		178B3615	347	178B3616	376

### Accessories

Motor coil		195N3110	76		
RFI-filter 1B (only icw 1A-filter)		195N3103	69		
RFI-filter 1B / LC-filter (only icw 1A-filter)		195N3100	199		
EMC filter for long motorcables		192H4719	36		
Terminal cover NEMA 1		195N1900	13		
Brake resistor, coiled wire, incl. Klixon	40% / 830 ohm	175U1976	72		
Flatpack Brakeresistor	20% / 830 ohm	175U1000	26		

For all other accessories and options see the general VLT 2800 accessories/options page

Dimensions	A	B	C	a	b	Weight
IP20 enclosure	200	75	168	191	60	2,1 kg
Minimal space under and above drive: 100 mm						
Max. powerloss (heat dissipation) at full power :				28 Watt		



Danfoss VLT Drives

Configure your drive with our Drive Configurator

0870 241 7100

[www.driveconfigurator.com](http://www.driveconfigurator.com)

# VLT® 2800

## VLT 2807 3x 380-480V

CT 160%; 0,75 kW / 2,1 A

ST Standard version

SB ST + brakechopper

VLT 2807 3x 380-480V -	excl. RFI-filter (R0)	Article nr.	Price GBP	Article nr.	Price GBP
		ST		SB	
Enclosure IP 20		195N1013	247	195N1014	280
Enclosure IP20 + Profibus DP 3 Mb		195N1017	346	195N1018	380

VLT 2807 3x 380-480V -	incl. RFI-filter class 1A (R1)	Article nr.	Price GBP	Article nr.	Price GBP
Enclosure IP 20		195N1015	287	195N1016	321
Enclosure IP20 + Profibus DP 3 Mb		195N1019	387	195N1020	420

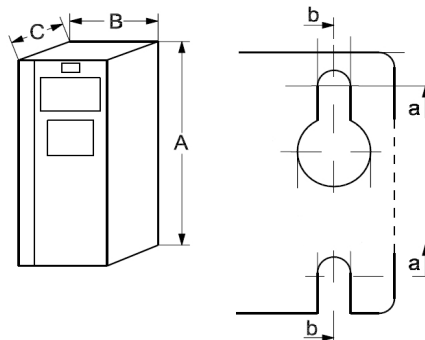
VLT 2807 3x 380-480V -	incl. RFI-filter low earthleak (R4)	Article nr.	Price GBP	Article nr.	Price GBP
Enclosure IP 20		178B1434	287	178B2302	321
Enclosure IP20 + Profibus DP 3 Mb		178B3618	387	178B3617	420

### Accessories

Motor coil		195N3110	76		
RFI-filter 1B (only icw 1A-filter)		195N3103	69		
RFI-filter 1B / LC-filter (only icw 1A-filter)		195N3100	199		
EMC filter for long motorcables		192H4719	36		
Terminal cover NEMA 1		195N1900	13		
Brake resistor, coiled wire, incl. Klixon	40% / 620 ohm	175U1910	76		
Flatpack Brakeresistor	14% / 620 ohm	175U1001	26		

For all other accessories and options see the general VLT 2800 accessories/options page

Dimensions	A	B	C	a	b	Weight
IP20 enclosure	200	75	168	191	60	2,1 kg
Minimal space under and above drive: 100 mm						
Max. powerloss (heat dissipation) at full power :				38 Watt		



Danfoss VLT Drives

Configure your drive with our Drive Configurator

0870 241 7100

[www.driveconfigurator.com](http://www.driveconfigurator.com)

# VLT® 2800

## VLT 2811 3x 380-480V

CT 160%; 1,1 kW / 3 A

ST Standard version

SB ST + brakechopper

VLT 2811 3x 380-480V -	excl. RFI-filter (R0)	Article nr.	Price GBP	Article nr.	Price GBP
		ST		SB	
Enclosure IP 20		195N1025	284	195N1026	323
Enclosure IP20 + Profibus DP 3 Mb		195N1029	384	195N1030	422

VLT 2811 3x 380-480V -	incl. RFI-filter class 1A (R1)	Article nr.	Price GBP	Article nr.	Price GBP
Enclosure IP 20		195N1027	332	195N1028	371
Enclosure IP20 + Profibus DP 3 Mb		195N1031	431	195N1032	470

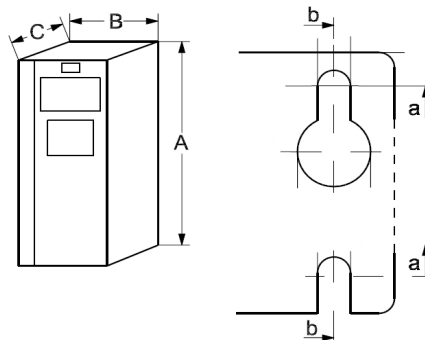
VLT 2811 3x 380-480V -	incl. RFI-filter low earthleak (R4)	Article nr.	Price GBP	Article nr.	Price GBP
Enclosure IP 20		178B2315	332	178B3630	371
Enclosure IP20 + Profibus DP 3 Mb		178B3619	431	178B3620	470

### Accessories

Motor coil		195N3110	76		
RFI-filter 1B (only icw 1A-filter)		195N3103	69		
RFI-filter 1B / LC-filter (only icw 1A-filter)		195N3100	199		
EMC filter for long motorcables		192H4719	36		
Terminal cover NEMA 1		195N1900	13		
Brake resistor, coiled wire, incl. Klixon	40% / 430 ohm	175U1911	88		
Flatpack Brakeresistor	8% / 430 ohm	175U1002	26		

For all other accessories and options see the general VLT 2800 accessories/options page

Dimensions	A	B	C	a	b	Weight
IP20 enclosure	200	75	168	191	60	2,1 kg
Minimal space under and above drive: 100 mm						
Max. powerloss (heat dissipation) at full power :				55 Watt		



Danfoss VLT Drives

Configure your drive with our Drive Configurator

0870 241 7100

[www.driveconfigurator.com](http://www.driveconfigurator.com)

# VLT® 2800

## VLT 2815 3x 380-480V

CT 160%; 1,5 kW / 3,7 A

ST Standard version

SB ST + brakechopper

VLT 2815 3x 380-480V -	excl. RFI-filter (R0)	Article nr.	Price GBP	Article nr.	Price GBP
		ST		SB	
Enclosure IP 20		195N1037	331	195N1038	377
Enclosure IP20 + Profibus DP 3 Mb		195N1041	430	195N1042	476

VLT 2815 3x 380-480V -	incl. RFI-filter class 1A (R1)	Article nr.	Price GBP	Article nr.	Price GBP
Enclosure IP 20		195N1039	386	195N1040	431
Enclosure IP20 + Profibus DP 3 Mb		195N1043	485	195N1044	531

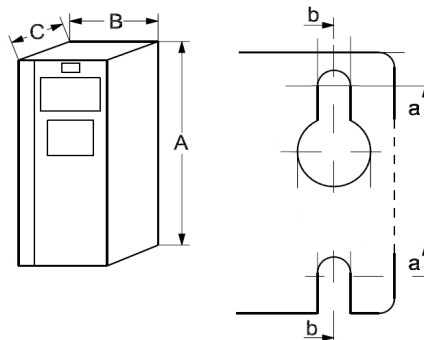
VLT 2815 3x 380-480V -	incl. RFI-filter low earthleak (R4)	Article nr.	Price GBP	Article nr.	Price GBP
Enclosure IP 20		178B1435	386	178B2303	431
Enclosure IP20 + Profibus DP 3 Mb		178B3622	485	178B3621	531

### Accessories

Motor coil		195N3110	76		
RFI-filter 1B (only icw 1A-filter)		195N3103	69		
RFI-filter 1B / LC-filter (only icw 1A-filter)		195N3100	199		
EMC filter for long motorcables		192H4719	36		
Terminal cover NEMA 1		195N1900	13		
Brake resistor, coiled wire, incl. Klixon	40% / 330 ohm	175U1912	88		
Flatpack Brakeresistor	16% / 310 ohm	175U0984	34		

For all other accessories and options see the general VLT 2800 accessories/options page

Dimensions	A	B	C	a	b	Weight
IP20 enclosure	200	75	168	191	60	2,1 kg
Minimal space under and above drive: 100 mm						
Max. powerloss (heat dissipation) at full power :				75 Watt		



Danfoss VLT Drives

Configure your drive with our Drive Configurator

0870 241 7100

[www.driveconfigurator.com](http://www.driveconfigurator.com)

# VLT® 2800

## VLT 2822 3x 380-480V

CT 160%; 2,2 kW / 5,2 A

ST Standard version

SB ST + brakechopper

VLT 2822 3x 380-480V -	excl. RFI-filter (R0)	Article nr.	Price GBP	Article nr.	Price GBP
		ST		SB	
Enclosure IP 20		195N1049	410	195N1050	465
Enclosure IP20 + Profibus DP 3 Mb		195N1053	509	195N1054	565

VLT 2822 3x 380-480V -	incl. RFI-filter class 1A (R1)	Article nr.	Price GBP	Article nr.	Price GBP
Enclosure IP 20		195N1051	477	195N1052	533
Enclosure IP20 + Profibus DP 3 Mb		195N1055	577	195N1056	632

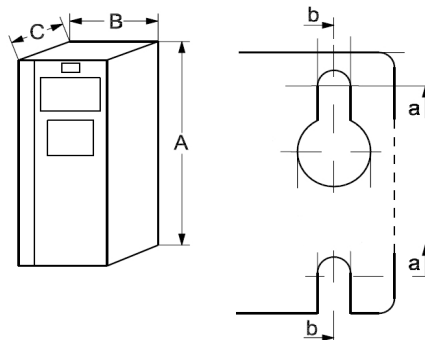
VLT 2822 3x 380-480V -	incl. RFI-filter low earthleak (R4)	Article nr.	Price GBP	Article nr.	Price GBP
Enclosure IP 20		178B1466	477	178B2903	533
Enclosure IP20 + Profibus DP 3 Mb		178B3623	577	178B3625	632

### Accessories

Motor coil		195N3110	76		
RFI-filter 1B (only icw 1A-filter)		195N3103	69		
RFI-filter 1B / LC-filter (only icw 1A-filter)		195N3101	244		
EMC filter for long motorcables		192H4720	67		
Terminal cover NEMA 1		195N1901	13		
Brake resistor, coiled wire, incl. Klixon	40% / 220 ohm	175U1913	103		
Flatpack Brakeresistor	9% / 210 ohm	175U0987	34		

For all other accessories and options see the general VLT 2800 accessories/options page

Dimensions	A	B	C	a	b	Weight
IP20 enclosure	267.5	90	168	257	70	3,7 kg
Minimal space under and above drive: 100 mm						
Max. powerloss (heat dissipation) at full power :				110 Watt		



Danfoss VLT Drives

Configure your drive with our Drive Configurator

0870 241 7100

[www.driveconfigurator.com](http://www.driveconfigurator.com)

# VLT® 2800

## VLT 2830 3x 380-480V

CT 160%; 3 kW / 7 A

ST Standard version

SB ST + brakechopper

VLT 2830 3x 380-480V -	excl. RFI-filter (R0)	Article nr.	Price GBP	Article nr.	Price GBP
		ST		SB	
Enclosure IP 20		195N1061	461	195N1062	525
Enclosure IP20 + Profibus DP 3 Mb		195N1065	561	195N1066	624

VLT 2830 3x 380-480V -	incl. RFI-filter class 1A (R1)	Article nr.	Price GBP	Article nr.	Price GBP
Enclosure IP 20		195N1063	538	195N1064	601
Enclosure IP20 + Profibus DP 3 Mb		195N1067	637	195N1068	701

VLT 2830 3x 380-480V -	incl. RFI-filter low earthleak (R4)	Article nr.	Price GBP	Article nr.	Price GBP
Enclosure IP 20		178B1467	538	178B3287	601
Enclosure IP20 + Profibus DP 3 Mb		178B3627	637	178B3626	701

### Accessories

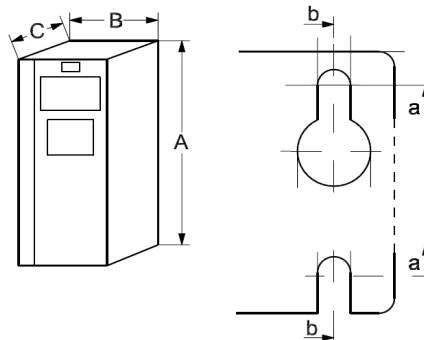
Motor coil		195N3110	76		
RFI-filter 1B (only icw 1A-filter)		195N3103	69		
RFI-filter 1B / LC-filter (only icw 1A-filter)		195N3101	244		
EMC filter for long motorcables		192H4720	67		
Terminal cover NEMA 1		195N1901	69		
Brake resistor, coiled wire, incl. Klixon	40% / 150 ohm	175U1914	152		
Flatpack Brakeresistor	5,5% / 150 ohm	175U0989	34		
Flatpack Brakeresistor		175U0985	34	(2 pcs needed)	

For all other accessories and options see the general VLT 2800 accessories/options page

Dimensions	A	B	C	a	b	Weight
IP20 enclosure	267.5	90	168	257	70	3,7 kg
Minimal space under and above drive: 100 mm						

Max. powerloss (heat dissipation) at full power :

150 Watt



Danfoss VLT Drives

Configure your drive with our Drive Configurator

0870 241 7100

[www.driveconfigurator.com](http://www.driveconfigurator.com)

# VLT® 2800

## VLT 2840 3x 380-480V

CT 160%; 4 kW / 9,1 A

ST Standard version

SB ST + brakechopper

VLT 2840 3x 380-480V -	excl. RFI-filter (R0)	Article nr.	Price GBP	Article nr.	Price GBP
		ST		SB	
Enclosure IP 20		195N1073	504	195N1074	573
Enclosure IP20 + Profibus DP 3 Mb		195N1077	603	195N1078	672

VLT 2840 3x 380-480V -	incl. RFI-filter class 1A (R1)	Article nr.	Price GBP	Article nr.	Price GBP
Enclosure IP 20		195N1075	587	195N1076	656
Enclosure IP20 + Profibus DP 3 Mb		195N1079	687	195N1080	755

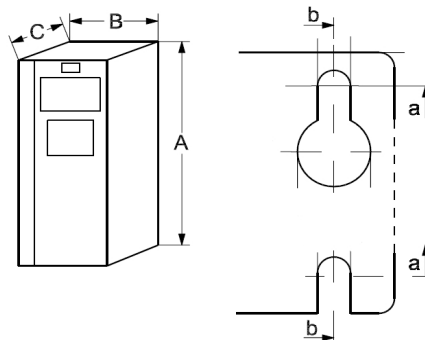
VLT 2840 3x 380-480V -	incl. RFI-filter low earthleak (R4)	Article nr.	Price GBP	Article nr.	Price GBP
Enclosure IP 20		178B2389	587	178B3288	656
Enclosure IP20 + Profibus DP 3 Mb		178B3628	687	178B3629	755

### Accessories

Motor coil		195N3110	76		
RFI-filter 1B (only icw 1A-filter)		195N3103	69		
RFI-filter 1B / LC-filter (only icw 1A-filter)		195N3101	244		
EMC filter for long motorcables		192H4720	67		
Terminal cover NEMA 1		195N1901	69		
Brake resistor, coiled wire, incl. Klixon	40% / 110 ohm	175U1979	191		
Flatpack Brakeresistor	11% / 240 ohm	175U0986	34	(2 pcs needed)	

For all other accessories and options see the general VLT 2800 accessories/options page

Dimensions	A	B	C	a	b	Weight
IP20 enclosure	267.5	90	168	257	70	3,7 kg
Minimal space under and above drive: 100 mm						
Max. powerloss (heat dissipation) at full power :				200 Watt		



Danfoss VLT Drives

Configure your drive with our Drive Configurator

0870 241 7100

[www.driveconfigurator.com](http://www.driveconfigurator.com)

# VLT® 2800

## VLT 2855 3x 380-480V

CT 160%; 5,5 kW / 12 A

ST Standard version

SB ST + brakechopper

VLT 2855 3x 380-480V -	excl. RFI-filter (R0)	Article nr.	Price GBP	Article nr.	Price GBP
		ST		SB	
Enclosure IP 20		195N1085	599	195N1086	682
Enclosure IP20 + Profibus DP 3 Mb		195N1089	699	195N1090	781

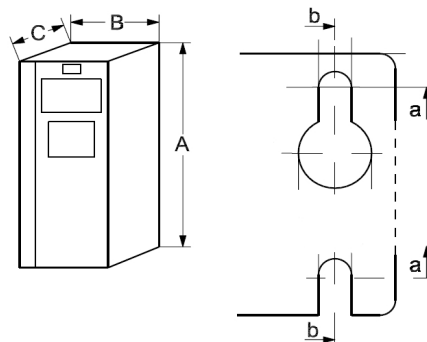
VLT 2855 3X 380-480V -	incl. RFI-filter class 1A (R1)	Article nr.	Price GBP	Article nr.	Price GBP
Enclosure IP 20		195N1087	699	195N1088	781
Enclosure IP20 + Profibus DP 3 Mb		195N1091	798	195N1092	881

### Accessories

Motor coil		195N3110	76
RFI-filter 1B (only icw 1A-filter)		195N3103	69
EMC filter for long motorcables		192H4893	80
Terminal cover NEMA 1		195N1902	15
Brake resistor, coiled wire, incl. Klixon	150 ohm	175U1977	351

For all other accessories and options see the general VLT 2800 accessories/options page

Dimensions	A	B	C	a	b	Weight
IP20 enclosure	267.5	140	168	257	120	6,0 kg
Minimal space under and above drive: 100 mm						
Max. powerloss (heat dissipation) at full power :				275 Watt		



Danfoss VLT Drives

Configure your drive with our Drive Configurator

0870 241 7100

[www.driveconfigurator.com](http://www.driveconfigurator.com)

# VLT® 2800

## VLT 2875 3x 380-480V

CT 160%; 7,5 kW / 16 A

ST Standard version

SB ST + brakechopper

VLT 2875 3x 380-480V -	excl. RFI-filter (R0)	Article nr.	Price GBP	Article nr.	Price GBP
		ST		SB	
Enclosure IP 20		195N1097	696	195N1098	791
Enclosure IP20 + Profibus DP 3 Mb		195N1101	795	195N1102	891

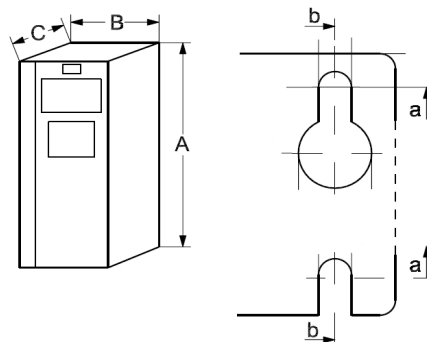
VLT 2875 3X 380-480V -	incl. RFI-filter class 1A (R1)	Article nr.	Price GBP	Article nr.	Price GBP
Enclosure IP 20		195N1099	811	195N1100	907
Enclosure IP20 + Profibus DP 3 Mb		195N1103	911	195N1104	1006

### Accessories

Motor coil		195N3110	76
RFI-filter 1B (only icw 1A-filter)		195N3103	69
EMC filter for long motorcables		192H4893	80
Terminal cover NEMA 1		195N1902	15
Brake resistor, coiled wire, incl. Klixon	40% / 56 ohm	175U1978	270

For all other accessories and options see the general VLT 2800 accessories/options page

Dimensions	A	B	C	a	b	Weight
IP20 enclosure	267.5	140	168	257	120	6,0 kg
Minimal space under and above drive: 100 mm						
Max. powerloss (heat dissipation) at full power :				372 Watt		



Danfoss VLT Drives

Configure your drive with our Drive Configurator

0870 241 7100

[www.driveconfigurator.com](http://www.driveconfigurator.com)

# VLT® 2800

## VLT 2880 3x 380-480V

CT 160%; 11 kW / 24 A

ST Standard version

SB ST + brakechopper

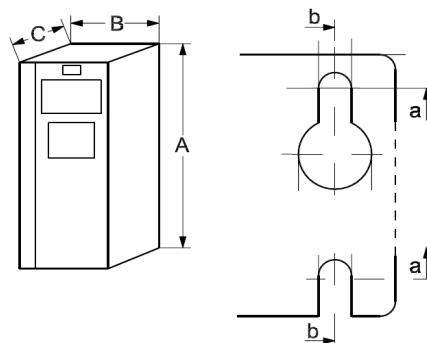
VLT 2880 3x 380-480V -	excl. RFI-filter (R0)	Article nr.	Price GBP	Article nr.	Price GBP
		ST		SB	
Enclosure IP 20		195N1109	820	195N1110	955
Enclosure IP20 + Profibus DP 3 Mb		195N1113	919	195N1114	1055

VLT 2880 3X 380-480V -	incl. RFI-filter class 1A (R1)	Article nr.	Price GBP	Article nr.	Price GBP
Enclosure IP 20		195N1111	948	195N1112	1084
Enclosure IP20 + Profibus DP 3 Mb		195N1115	1048	195N1116	1183

### Accessories

Terminal cover NEMA 1		195N1902	15		
Brake resistor, coiled wire, incl. Klixon	40% / 40 ohm	175U1997	351		
For all other accessories and options see the general VLT 2800 accessories/options page					

Dimensions	A	B	C	a	b	Weight
IP20 enclosure	505	200	244	490	120	18,5 kg
Minimal space under and above drive: 100 mm						
Max. powerloss (heat dissipation) at full power :				412 Watt		



Danfoss VLT Drives

Configure your drive with our Drive Configurator

0870 241 7100

[www.driveconfigurator.com](http://www.driveconfigurator.com)

# VLT® 2800

## VLT 2881 3x 380-480V

CT 160%; 15 kW / 32 A

ST Standard version

SB ST + brakechopper

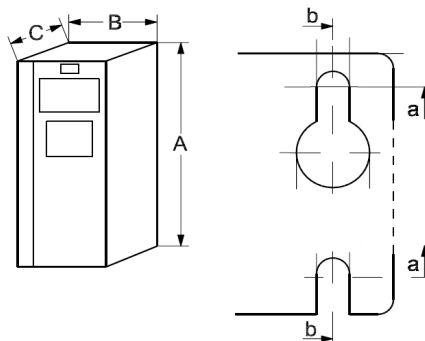
VLT 2881 3x 380-480V -	excl. RFI-filter (R0)	Article nr.	Price GBP	Article nr.	Price GBP
		ST		SB	
Enclosure IP 20		195N1121	962	195N1122	1121
Enclosure IP20 + Profibus DP 3 Mb		195N1125	1062	195N1126	1221

VLT 2881 3X 380-480V -	incl. RFI-filter class 1A (R1)	Article nr.	Price GBP	Article nr.	Price GBP
Enclosure IP 20		195N1123	1091	195N1124	1251
Enclosure IP20 + Profibus DP 3 Mb		195N1127	1191	195N1128	1350

### Accessories

Terminal cover NEMA 1		195N1902	15		
Brake resistor, coiled wire, incl. Klixon	40% / 30 ohm	175U1998	439		
For all other accessories and options see the general VLT 2800 accessories/options page					

Dimensions	A	B	C	a	b	Weight
IP20 enclosure	505	200	244	490	120	18,5 kg
Minimal space under and above drive: 100 mm						
Max. powerloss (heat dissipation) at full power :			562 Watt			



Danfoss VLT Drives

Configure your drive with our Drive Configurator

0870 241 7100

[www.driveconfigurator.com](http://www.driveconfigurator.com)

# VLT® 2800

## VLT 2882 3x 380-480V

CT 160%; 18,5 kW / 37,5 A

ST Standard version

SB ST + brakechopper

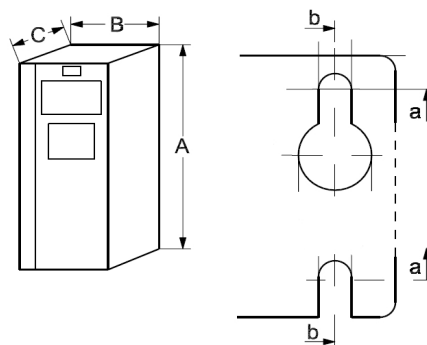
VLT 2882 3x 380-480V -	excl. RFI-filter (R0)	Article nr.	Price GBP	Article nr.	Price GBP
		ST		SB	
Enclosure IP 20		195N1133	1216	195N1134	1396
Enclosure IP20 + Profibus DP 3 Mb		195N1137	1315	195N1138	1495

VLT 2882 3X 380-480V -	incl. RFI-filter class 1A (R1)	Article nr.	Price GBP	Article nr.	Price GBP
Enclosure IP 20		195N1135	1367	195N1136	1547
Enclosure IP20 + Profibus DP 3 Mb		195N1139	1466	195N1140	1646

### Accessories

Terminal cover NEMA 1		195N1902	15		
Brake resistor, coiled wire, incl. Klixon	40% / 25 ohm	175U1999	543		
For all other accessories and options see the general VLT 2800 accessories/options page					

Dimensions	A	B	C	a	b	Weight
IP20 enclosure	505	200	244	490	120	18,5 kg
Minimal space under and above drive: 100 mm						
Max. powerloss (heat dissipation) at full power :				693 Watt		



Danfoss VLT Drives

Configure your drive with our Drive Configurator

0870 241 7100

[www.driveconfigurator.com](http://www.driveconfigurator.com)

# VLT 2800

## General Options for the VLT 2800

Description	Article nr.	Price GBP
Numeric display LCP2	175N0131	84
LCP-cable (length 3 meters incl. connectors)	175Z0929	14
LCP-kit for remote mounting of display (incl. 3 mtr cable, excl. display)	175Z0850	25
Profibus DP 12Mb interface		127
DeviceNet interface		75
DeviceNet cable	195N3113	25
IP21 Top cover VLT2803-15/200V, VLT2805-15/400V	195N2179	20
IP21 Top cover VLT2822/200V, VLT2822-40/400V	195N2180	20
IP21 Top cover VKT2840/200V, VLT2855-75/400V	195N2181	25
IP21 Top cover VLT2880-82/400V	195N2182	30
Mounting bracket for flatpack brakeresistor 100W	175U0011	4
Mounting bracket for flatpack brakeresistor 200W	175U0009	5